



## SMALL TRAILER LIGHTING TRALERT® CATALOGUE





---

## THE SPECIALIST IN LED VEHICLE LIGHTING

As a European importer and producer of exclusively LED vehicle lighting, TRALERT® sets itself apart with a complete and high-quality range, excellent service, and expert technical support.

Thanks to our specialization and focus, we have rapidly grown into one of the largest suppliers in our field. In addition to representing various renowned brands and manufacturers in the European market, TRALERT® also produces lighting products in-house. Furthermore, TRALERT® is your partner in providing custom solutions for all your lighting needs, whether it concerns individual lighting or fully customized wiring sets and complete solutions.

With our dedicated TRALERT® marketing team, we are well-equipped to support you with custom brochures, full shop-in-shop assistance, and tailor-made social media content.

**TRALERT®, your partner and specialist in LED vehicle lighting.**

Traditech B.V. / TRALERT®  
Ratio 39  
6921 RW Duiven  
The Netherlands

E: [info@tralert.com](mailto:info@tralert.com)  
T: +31 (0)316 - 372 346  
W: [tralert.com](http://tralert.com)



# TABLE OF CONTENTS

## 6. LED LIGHTING SETS

- 8. Small trailer ECO kit
- 9. Small trailer Standard kit
- 10. Small trailer PRO kit
- 11. Small trailer PRO+ kit

## 12. LED REAR LIGHTS

- 14. VC-6000 series
- 16. VC-4000 series
- 18. VC-4600 series
- 20. VC-2000 series
- 22. VC-5100 series
- 24. 500-series
- 26. Explanation CAN-bus proof
- 28. VC-2700
- 30. VC-4500 series
- 32. VC-3300 series
- 34. VC-2200 series
- 35. VC-2300 series
- 36. 600-series
- 38. 700-series
- 39. 800-series

## 40. LED SIDE MARKER LIGHTS

- 42. Dragon Series
- 46. M10BV-700 series
- 47. M10BV-900 series
- 48. M10BV-100 series
- 49. M10BV-200 series
- 50. M10BV-300 series
- 51. M10BV-500 series
- 52. M10BV-600 series
- 53. MB-1500 series
- 54. MB-8000 series

## 56. LED MARKER LIGHTS

- 58. MV-1200 series
- 59. MV-700 series
- 60. MV-5800 series
- 62. MV-1400 series
- 63. MV-190 series
- 64. MV-600 series
- 65. MV-5600 series
- 66. MV-2900 series
- 67. MV-2700 series
- 68. Synchronised side marker light

## 72. LED WORK LIGHTS

- 74. Low-profile LED work lights
- 76. Compact LED work lights

## 78. LED WARNING LIGHTS

- 80. SF-6000A
- 82. SF-6500A
- 83. S10F6300A(-ECO)
- 84. Slimline LED warning lights

## 86. LED INTERIOR LIGHTING

- 87. B-2000 series
- 88. Click-&-Go LED strips

## 90. LED LICENCE PLATE LIGHTING

## 92. OTHER LIGHTING

## 94. REFLECTORS

## 96. WIRING LOOMS

## 98. ACCESSORIES & PARTS

## 106. CABLES & CONNECTORS

## 110. PLUG & PLAY LED KIT

- 110. Regular range
- 112. Custom solutions
- 114. LED kit in your corporate identity

## 116. LEGEND ICONS

## 118. TRALERT® ONLINE



## LIGHTING SETS SMALL TRAILER

Looking for a complete solution for your trailers that is plug-and-play ready? Our lighting sets are the perfect solution for your business!

The TRALERT® lighting sets include everything you need to equip your small trailer with safe and high-quality lighting. From the connection plug to the rear light, everything is included in one package.

The sets are carefully assembled by the LED specialists at TRALERT®. Special attention has been given to regulations, ease of connection, and product quality. This allows you to save time during the installation process, while ensuring your customers can hit the road with peace of mind and without any issues.



## FOUR VARIANTS

The TRALERT® lighting sets for small trailers are divided into four levels: ECO, Standard, PRO, and PRO+.

The ECO set forms the basic configuration for small trailers. For larger small trailers, the standard set offers a complete lighting solution.

For true professionals, there are the PRO and PRO+ kits. These are the most complete sets for large small trailers, with all the lighting you need to make your work as easy as possible and stylish. Discover on the following page which lighting set best suits your needs.

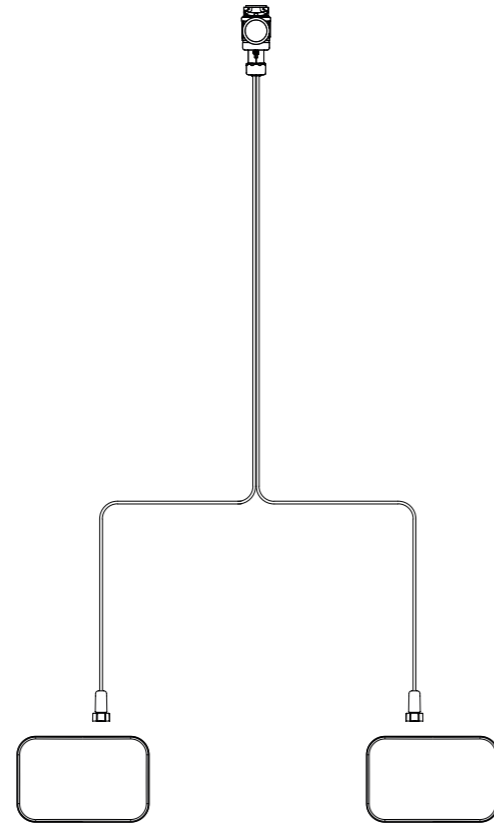
If the available sets do not fully meet your requirements, custom solutions are possible. More information can be found on page 106.



Overview products:



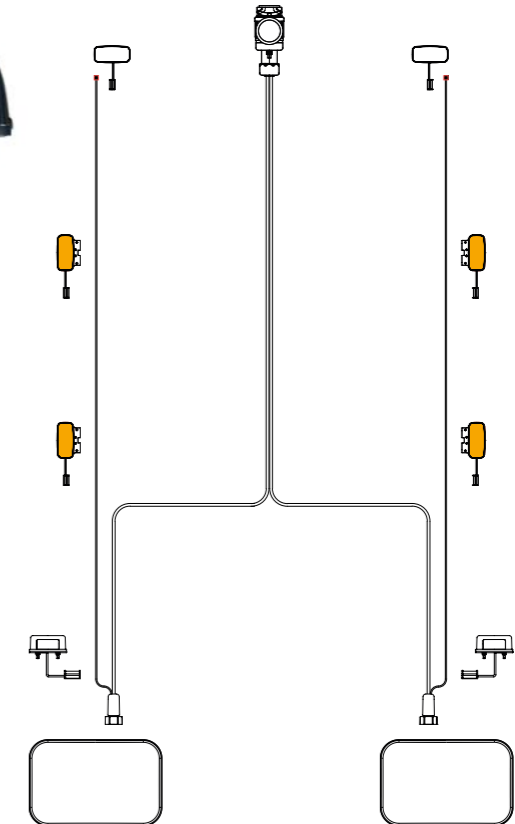
Schematic representation:



Overview products:



Schematic representation:



ECO - TRALERT® Small trailer lighting set (Art. PS-ECO-1.0)

The ECO lighting set has been specially developed for small trailers up to four metres with basic lighting needs. The ECO set includes a complete wiring loom and two rear lights from the VC-2700 series.

Amount	Product:	Description:
1	K10C4000:	400cm wiring loom 5-PINs with 13-PINs connector
1	VC-2721B5CAN:	Multifunctional CAN-busproof LED rear light left
1	VC-2732B5CAN:	Multifunctional CAN-busproof LED rear light right

Standard - TRALERT® Small trailer lighting set (Art. PS-STA-1.0)

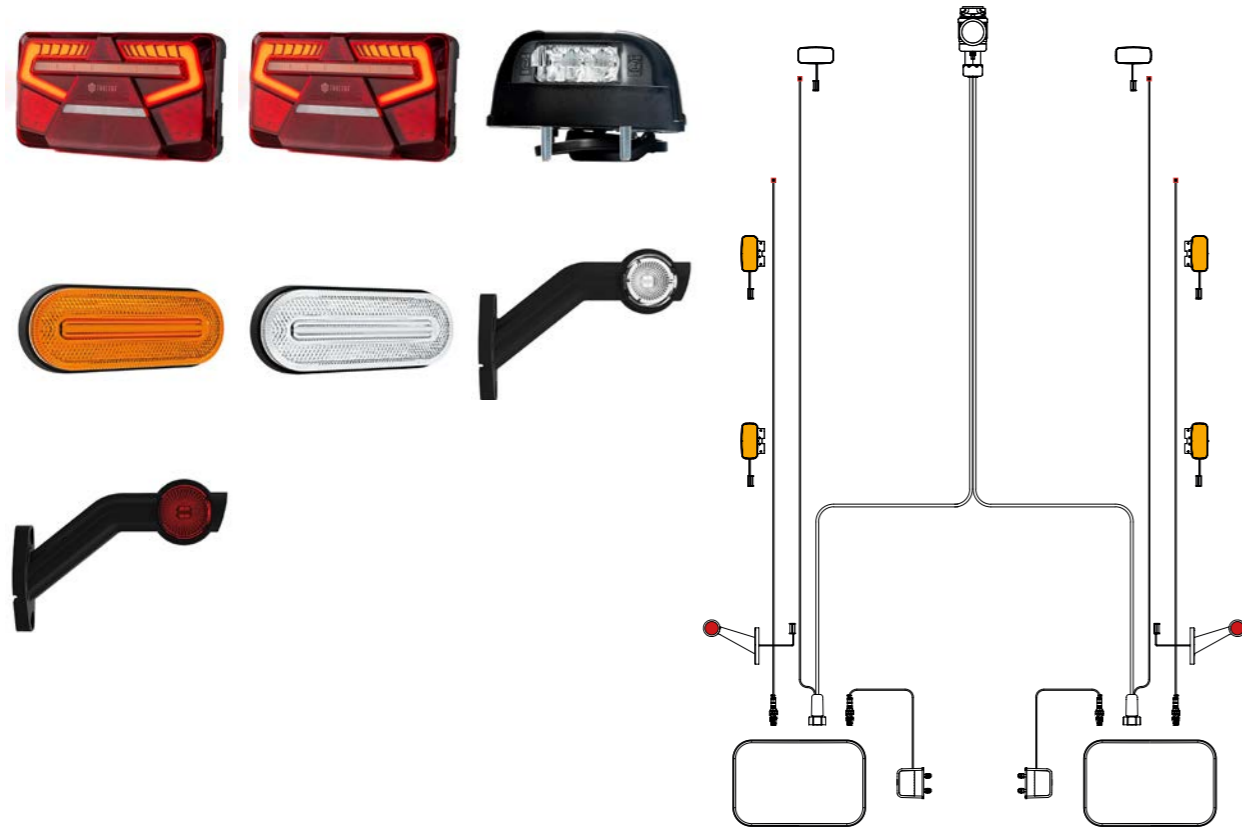
The Standard lighting set has been developed for small trailers around 6 metres with basic lighting needs. The Standard set includes a complete wiring loom, two rear lights, licence plate lighting, and marker lights.

Amount	Product:	Description:
1	K10D-7753B6	770cm wiring loom 6-PINs with 13-PINs connector + 530cm DC-cable
1	VC-4651B6	Multifunctional neon-look LED rear light left
1	VC-4652B6	Multifunctional neon-look LED rear light right
2	MK-1610	LED licence plate lighting
4	MV-5860A	LED marker lights side amber
2	MV-5810W	LED marker lights front white



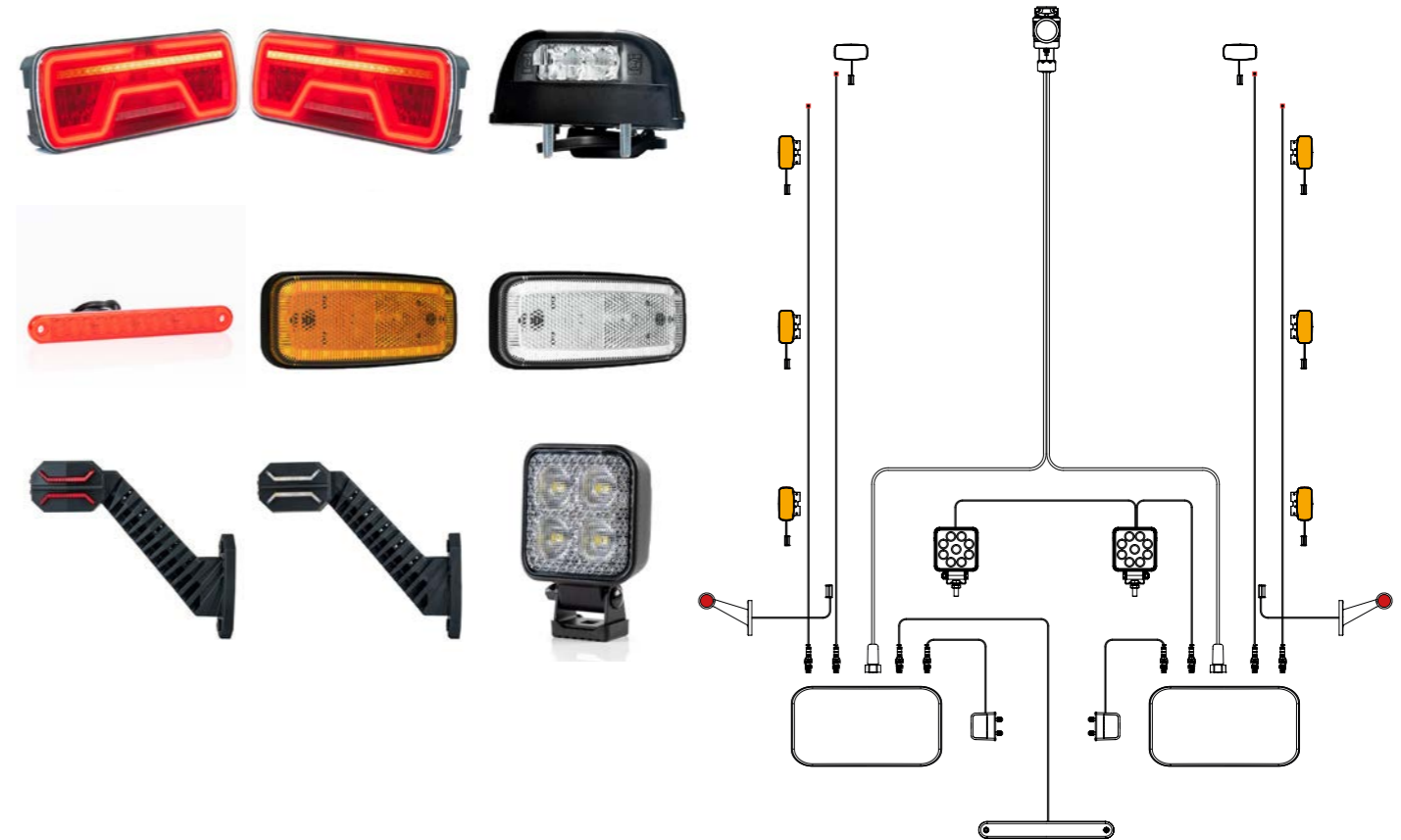
Overview products:

Schematic representation:



Overview products:

Schematic representation:



**PRO - TRALERT® Small trailer lighting set (Art. PS-PRO-1.0)**

The PRO lighting set has been developed for medium-sized small trailers up to 8 metres for professional use, combining style and functionality. The latest LED rear lights, eye-catching marker lights, licence plate lights, side markers, and the complete wiring loom are included.

Amount	Product:	Description:
1	K10D-8070B7	800cm wiring loom 7-PINs with 13-PINs connector + 700cm DC-cable
2	KAC-8000SS	800cm extension cable 0,75mm <sup>2</sup> connector to 2-PINs SuperSeal
1	VC-6001B7	Stylish, multifunctional neon-look LED rear light left
1	VC-6002B7	Stylish, multifunctional neon-look LED rear light right
2	MK-1600-SS	LED licence plate lighting
4	M10MV-710A	Synchronised LED marker lights side amber
2	M10MV-710W	LED Marker lights front white
1	M10BV-711RWA	LED side marker light with angled stem left
1	M10BV-712RWA	LED side marker light with angled stem right

**PRO+ - TRALERT® Small trailer lighting set (Art. PS-PROP-1.0)**

The PRO+ is the most complete and stylish set from TRALERT®. This set has been specially developed for larger trailers and meets the strictest requirements that a professional can demand from their lighting. It is very comprehensive, including 2 work lights, a 3rd brake light, and additional marker lights.

Amount	Product:	Description:
1	K10C-9500B8	950cm wiring loom 8-PINs with 13-PINs connector
4	KAC-8000SS	800cm extension cable 0,75mm <sup>2</sup> connector to 2-PINs SuperSeal
1	KAC-800	Adaptercable 200cm Deutsch female to 2-PINs Superseal female
1	WAC-30100Y	Y-cable 30cm male + 2x100cm female
1	VC-2001B8SS	TRALERT® Premium LED rear light left with SuperSeal-connectors
1	VC-2002B8SS	TRALERT® Premium LED rear light right with SuperSeal-connectors
1	V3R-191SS	LED 3rd brake light
2	MK-1600-SS	LED licence plate lighting
6	MV-1210A	Synchronised LED marker lights side amber
2	MV-1210W	LED marker lights front white
1	MB-6011RWA	LED Dragon side marker light with angled stem left
1	MB-6012RWA	LED Dragon side marker light with angled stem right
2	WR-1829V	Compact, powerful Apex Series LED work light



DISCOVER THE RANGE

# LED REAR LIGHTS

Combine style and functionality with the LED rear lights from TRALERT®. The most stylish models, the highest build quality, and equipped with all the features you need. The selected LED rear lights from TRALERT® all come with a triangular reflector, making them suitable for all your small trailers and other towed vehicles. Discover on the following pages which LED rear lights best suit your vehicle!

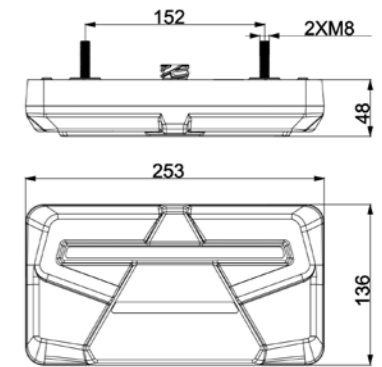
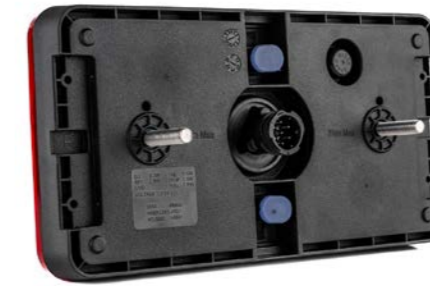




LED REAR LIGHTS WITH A UNIQUE AND SLEEK DESIGN

# VC-6000 SERIES

Multifunctional LED rear lights with a unique neon look and a sleek design: introducing the VC-6000 series. This series consists of various versions, with options in this catalogue featuring open cable ends, a 7-PIN AMP connector, or an 8-PIN bayonet connection. Discover on the following pages which version of this rear light best suits your small trailer.



The rear lights from the VC-6000 series are the ideal multifunctional LED rear lights for all your vehicles. There is a version available with or without a triangular reflector, making the VC-6000 suitable for all vehicles. The standout feature is the neon-look daytime running light with a unique shape. Together with the dynamic flashing indicator, this creates an eye-catching design. This lamp comes standard with all the other functions your vehicle needs: rear light, brake light, indicator, fog light, reverse light, and reflector. A licence plate light can easily be added via the built-in SuperSeal connector.

Connection is easy with the 7-PIN AMP connector, 8-PIN bayonet, or 200cm cable. Standard, two SuperSeal connectors are also located on the back. Here you will find a SuperSeal connection for synchronised side lighting and a SuperSeal connection for contour lighting such as licence plate lighting, side marker lights, or marker lights.

### Certificates & warranty:



### VC-6000 product features:

<b>Connection:</b>	200cm cable or built-in connector	<b>Mounting:</b>	Assembly
<b>Voltage:</b>	12-24V	<b>Material lens:</b>	Polycarbonate
<b>Centre distance:</b>	152mm	<b>Material housing:</b>	Polycarbonate
<b>IP-value:</b>	IP69K	<b>Housing color:</b>	Black
<b>Dimensions:</b>	253 x 136 x 48mm	<b>Certificates:</b>	E, CE
<b>Reflector:</b>	With triangular reflector	<b>Warranty:</b>	3 years

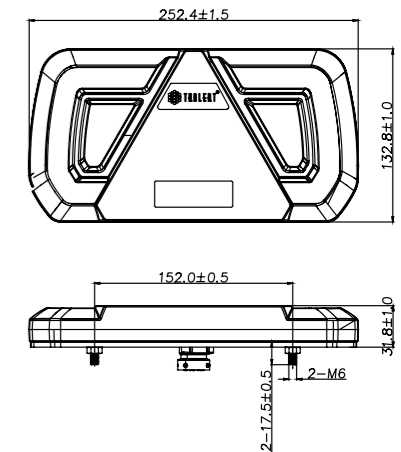
Productcode	Left	Right	7-PINs AMP connector	8-PINs bayonet connection	200cm cable open wire end
VC-6001	√				√
VC-6002		√			√
VC-6001B7	√		√		
VC-6002B7		√	√		
VC-6001B8	√			√	
VC-6002B8		√		√	



LED REAR LIGHTS WITH A UNIQUE AND SLEEK DESIGN

# VC-4000 SERIES

Eye-catching LED rear lights with neon-look daytime running lights, built-in triangular reflector, and all the essential functions: that's the VC-4000 series from TRALERT®. Discover on the following pages which version best suits your small trailer.



The VC-4000 series LED rear lights from TRALERT® provide an upgrade in lighting and safety for your small trailer and trailer. Featuring bright and energy-efficient LED technology, these rear lights ensure excellent visibility and a strong appearance on the road. Unique to this multifunctional light is the neon effect. The lamp is equipped with all the essential functions: rear light, brake light, indicator, fog light, reverse light, and reflector.

The durable housing and waterproof properties make the VC-4000 series suitable for tough conditions. Additionally, these rear lights are easy to install and compatible with a wide range of vehicles. For connection, you can choose between a 200cm cable with open wire ends, a 5-pin bayonet, or an 8-pin bayonet. Installation is quick, allowing you to safely and effectively light up the road ahead.

### Certificates & warranty:



### VC-4000 product features:

<b>Connection:</b>	200cm cable or built-in connector	<b>Mounting:</b>	Assembly
<b>Voltage:</b>	12-24V	<b>Material lens:</b>	Polycarbonate
<b>Centre distance:</b>	152mm	<b>Material housing:</b>	Polycarbonate
<b>IP-value:</b>	IP68	<b>Housing color:</b>	Black
<b>Dimensions:</b>	252,4 x 132,8 x 31,8mm	<b>Certificates:</b>	E, CE
<b>Reflector:</b>	With triangular reflector	<b>Warranty:</b>	3 years

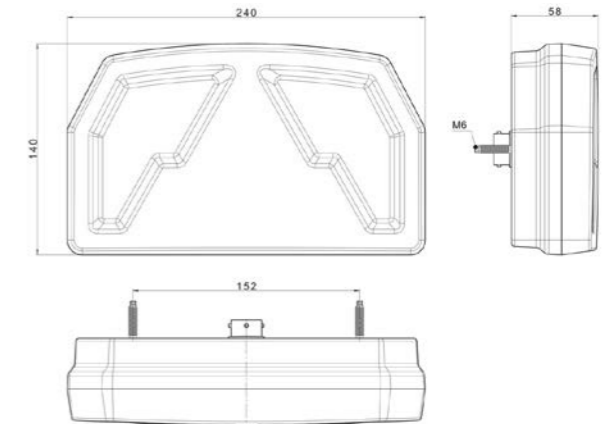
Productcode	Left	Right	5-PINs bayonet connection	8-PINs bayonet connection	200cm cable open wire end
VC-4001	√				√
VC-4002		√			√
VC-4001B5	√		√		
VC-4002B5		√	√		
VC-4001B8	√			√	
VC-4002B8		√		√	



LED REAR LIGHTS WITH INTEGRATED CAN-BUS SOLUTION

# VC-4600 SERIES

These uniquely designed VC-4600 series LED rear lights are specially developed for the agricultural and construction sectors. This universal lamp features a distinctive neon-look and is equipped with multiple functions. The series is standard CAN-bus proof, eliminating dashboard errors. Connection is quick and easy with the 100cm cable or the 5-pin bayonet connector.



These uniquely designed VC-4600 series LED rear lights are specifically developed for the agricultural and construction sectors. This lamp is universally designed, allowing it to be mounted either Left or right. The lamp is recognizable by its unique shape with a neon-look and comes standard with essential functions such as rear light, brake light, indicator, and triangular reflector. This series is always CAN-bus proof. Optionally, the lamp can be equipped with a license plate light on the underside.

### Certificates & warranty:



### VC-4600 product features:

<b>Connection:</b>	100cm cable or built-in connector	<b>Mounting:</b>	Assembly
<b>Voltage:</b>	12V	<b>Material lens:</b>	Polycarbonate
<b>Centre distance:</b>	152mm	<b>Material housing:</b>	Polycarbonate
<b>IP-value:</b>	IP68	<b>Housing color:</b>	Black
<b>Dimensions:</b>	240 x 140 x 58mm	<b>Certificates:</b>	E, CE
<b>Reflector:</b>	With triangular reflector	<b>Warranty:</b>	2 years

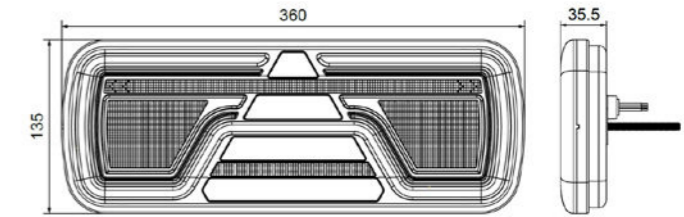
Productcode	Left	Right	6-PINs bayonet connection	8-PINs bayonet connection	200cm cable open wire end
VC-4651	√				√
VC-4652		√			√
VC-4651B6	√		√		
VC-4652B6		√	√		
VC-4651B8	√			√	
VC-4652B8		√		√	



LED REAR LIGHTS WITH NEON-LOOK DAYTIME RUNNING LIGHTS

# VC-2000 Series

The most well-known rear light from TRALERT®: the VC-2000 series. The standout feature is the lavaflow neon-effect daytime running light in its distinctive shape, giving your small trailer a bold appearance. Especially in the dark, this makes the series visually striking. Additionally, the rear light is equipped with a dynamic indicator, another visually appealing feature of this lamp. The VC-2000 also includes all the essential functions and can be supplied with multiple connection options, ensuring that there is always a version that fits your small trailer.



The VC-2000 series is one of the most popular LED rear lights in the TRALERT® range and falls under the TRALERT® Premium label. Thanks to its dynamic indicator, LavaFlow neon-effect look, and unique design, this rear light has already been installed on many small trailers and trailers.

Recently, this series was updated with connectors integrated into the housing itself, rather than being attached to a separate cable. This makes installation even easier, and the VC-2000 series is now IP69K waterproof certified. Additionally, the 7-pin and 8-pin versions are available in a thicker variant with built-in SuperSeal connectors. This makes it easier than ever to create a complete lighting solution for your vehicle, including options like separate licence plate lighting and side marker lights.

### Certificates & warranty:



### VC-2000 product features:

<b>Connection:</b>	200cm cable or built-in connector	<b>Mounting:</b>	Assembly
<b>Voltage:</b>	12-24V	<b>Material lens:</b>	Polycarbonate
<b>Centre distance:</b>	152mm	<b>Material housing:</b>	Polycarbonate
<b>IP-value:</b>	IP69K	<b>Housing color:</b>	Black
<b>Dimensions without SuperSeal:</b>	360 x 135 x 35,5mm	<b>Certificates:</b>	E, CE
<b>Dimensions with SuperSeal:</b>	360 x 135 x 55,3mm	<b>Warranty:</b>	3 years
<b>Reflector:</b>	Triangular reflector		

Productcode	Left	Right	5-PINS bayonet	7-PINS AMP connector	8-PINS bayonet	200cm cable	Built-in Super-Seals
VC-2001	√					√	
VC-2002		√				√	
VC-2001B5.1	√		√				
VC-2002B5.1		√	√				
VC-2001B8.1	√				√		
VC-2002B8.1		√			√		
VC-2001B7SS	√			√			√
VC-2002B7SS		√		√			√
VC-2001B8SS	√				√		√
VC-2002B8SS		√			√		√

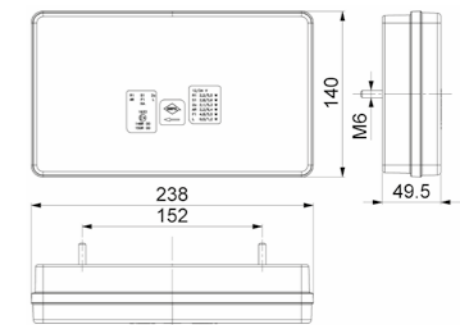


COMPACT STRADA LAMP

# VC-5100 SERIES

A unique and striking design that becomes visible at night: the distinctive "Strada" rear light from the VC-5100 series. The daytime running light is designed in such a way that it resembles a road in the dark. Curious about which VC-5100 rear light suits your vehicle best?

Discover the right variant on the following page.



The VC-5100 rear light, also known as the Strada rear light, is a multifunctional LED rear light with a unique feature. The position light is designed in the shape of the 'Strada,' resembling a roadway. This design is fitting for the terrain over which small trailers travel. The VC-5100 comes in both left and right versions and is standardly equipped with all the necessary light functions.

This rear light includes daytime running lights, brake lights, reverse lights, indicators, fog lights, and licence plate lights. The rear lights have a compact size with a centre-to-centre distance of 152mm for easy installation. The versions with connectors feature the connector positioned in the centre, as shown above.

### Certificates & warranty:



### VC-5100 product features:

<b>Connection:</b>	200cm cable / 5-PINs bayonet / 8-PINs bayonet	<b>Mounting:</b>	Assembly
<b>Voltage:</b>	12-24V	<b>Material lens:</b>	Polycarbonate
<b>Centre distance:</b>	152mm	<b>Material housing:</b>	Polycarbonate
<b>IP-value:</b>	IP68	<b>Housing color:</b>	Black
<b>Dimensions:</b>	238 x 140 x 49,5mm	<b>Certificates:</b>	E, CE
<b>Reflector:</b>	With triangular reflector	<b>Warranty:</b>	2 years

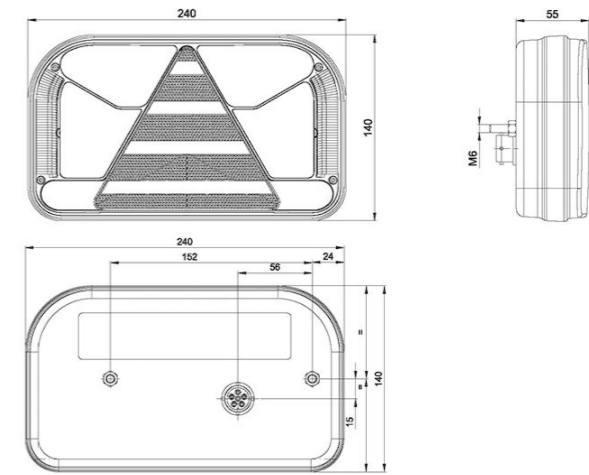
Productcode	Left	Right	Licence plate light	Fog light	Reverse light	5-PINs bayonet	8-PINs bayonet	200cm cable
VC-5101	√		√	√				√
VC-5102		√	√		√			√
VC-5101B5	√		√	√		√		
VC-5102B5		√	√		√	√		
VC-5101B8	√		√	√	√		√	
VC-5102B8		√	√	√	√		√	
VC-5111B5	√			√		√		
VC-5112B5		√			√	√		
VC-5111B8	√			√	√		√	
VC-5112B8		√		√	√		√	



LED REAR LIGHT WITH MULTIPLE FUNCTIONS

# VC-500 SERIES

These stylish series of rear lights feature a unique Lavaflow neon-look. The VC-500 series is available in various versions, with the most multifunctional lamp in the series serving not only as a rear light but also as a brake light, indicator, licence plate light, fog light, and reverse light. All functions of these rear lights are, of course, fully certified. Only the best materials have been used for this series, such as the robust polycarbonate housing. This ensures you can rely on the VC-500 series under all conditions.



The lights from the VC-500 series are available in a wide range of configurations and connections. Additionally, these lights are a beautiful enhancement for your small trailer, thanks to their unique design with the Lavaflow look. The centre-to-centre measurement is a common size. The lights are equipped with a convenient built-in connector or long connecting cable, making the installation of this rear light quick and easy.

### Certificates & warranty:



### VC-500 series product features:

<b>Connection:</b>	100cm cable or built-in connector	<b>Mounting:</b>	Assembly
<b>Voltage:</b>	12-36V	<b>Material lens:</b>	Polycarbonate
<b>Centre distance:</b>	152mm	<b>Material housing:</b>	Polycarbonate
<b>IP-value:</b>	IP68	<b>Housing color:</b>	Black
<b>Dimensions:</b>	240 x 140 x 55mm	<b>Certificates:</b>	E, CE
<b>Reflector:</b>	Triangular reflector	<b>Warranty:</b>	2 years

Productcode	Left	Right	Licence plate light	Fog light	Reverse light	5-PINs bayonet	7-PINs AMP connector	100cm cable
V10C6-541	✓		✓	✓				✓
V10C6-542		✓	✓		✓			✓
V10C6-541B5	✓		✓	✓		✓		
V10C6-542B5		✓	✓		✓	✓		
V10C6-531	✓			✓	✓			✓
V10C6-532		✓		✓	✓			✓
V10C6-531B7	✓			✓	✓		✓	
V10C6-532B7		✓		✓	✓		✓	
V10C6-551	✓		✓	✓	✓			✓
V10C6-552		✓	✓	✓	✓			✓
V10C6-551B7	✓		✓	✓	✓		✓	
V10C6-552B7		✓	✓	✓	✓		✓	



LED REAR LIGHTS WITH INTEGRATED CAN-BUS SOLUTION

## CAN-BUS PROOF

A term that is becoming increasingly common is CAN-bus (Controller Area Network), a standard for serial data transmission between various components. The CAN-bus is specifically designed for environments with significant electromagnetic interference, such as in the onboard computer of a towing vehicle.

Onboard computers, particularly used in newer cars and tractors, typically alert the driver to faults, such as when a light bulb is defective. The CAN-bus system essentially measures the decrease in power drawn by a specific light. If the light is defective, it will no longer draw power, triggering a warning that the light is broken.

The LED rear lights from TRALERT® are highly energy-efficient, especially compared to traditional halogen lighting. Due to the minimal energy consumption of LED lights, the CAN-bus system can sometimes be misled and incorrectly signal a fault, causing the LED lights to malfunction.

There are solutions, such as resistors, but the easiest solution is built directly into the lights themselves. The rear lights from TRALERT® in the VC-2700 series, VC-4500 series, and VC-4600 series are designed with this in mind. These lights are developed to be 99.9% CAN-bus proof, making it easy to install and use these energy-efficient LED rear lights on a towed vehicle without experiencing faults with the towing vehicle's system.

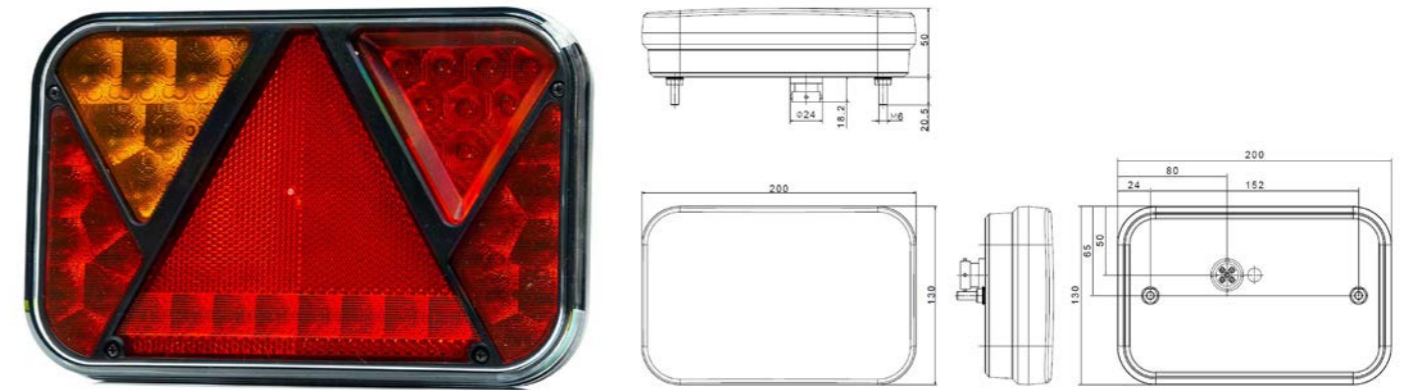




LED REAR LIGHTS WITH INTEGRATED CAN-BUS SOLUTION

# VC-2700 SERIES

These sleekly designed VC-2700 series LED rear lights are available in various configurations, equipped with all the necessary functions. Despite their simple design and affordable price, these lights do not compromise on quality or functionality compared to other models. A unique feature of this series is the CAN-bus proof versions. These CAN-bus proof rear lights have been tested on over 200 vehicles, with a success rate of 99.9%.



These typical rear lights from the VC-2700 series are primarily designed for trailers, making them the ideal lighting solution for towed vehicles. In addition to the CAN-bus solution, the lights feature a unique look and are available in various configurations with multiple connector options. They can also be optionally equipped with license plate lighting and, as an additional feature, a fog light or reverse light.

### Certificates & warranty:



### VC-2700 product features:

<b>Connection:</b>	100cm cable or built-in connector	<b>Mounting:</b>	Assembly
<b>Voltage:</b>	12V	<b>Material lens:</b>	Polycarbonate
<b>Centre distance:</b>	152mm	<b>Material housing:</b>	Polycarbonate
<b>IP-value:</b>	IP68	<b>Housing color:</b>	Black
<b>Dimensions:</b>	200 x 130 x 50mm	<b>Certificates:</b>	E, CE
<b>Reflector:</b>	Triangular reflector	<b>Warranty:</b>	2 years

Productcode	Left (Fog light)	Right (Reverse light)	Licence plate light	CAN-bus proof	5-PINs bayonet	100cm cable
VC-2701	√					√
VC-2712		√				√
VC-2701B5	√				√	
VC-2712B5		√			√	
VC-2701B5CAN	√			√	√	
VC-2712B5CAN		√		√	√	
VC-2721	√		√			√
VC-2732		√	√			√
VC-2721B5	√		√		√	
VC-2732B5		√	√		√	
VC-2721B5CAN	√		√	√	√	
VC-2732B5CAN		√	√	√	√	



LED REAR LIGHTS WITH INTEGRATED CAN-BUS SOLUTION

# VC-4500 SERIES

The VC-4500 series are multifunctional rear lights, equipped with all the necessary functions. This means that all the features you need for your small trailer are combined in one light. Additionally, this series is optionally available with a CAN-bus proof solution.



These rear lights from the VC-4500 series are specifically designed for trailers and small trailers. The light comes as standard with the following six functions: rear light, brake light, indicator, reverse light, fog light, and triangular reflector. A license plate light is also available, as shown in the table below. The lights are optionally available with the integrated CAN-bus solution, ensuring that faults are a thing of the past.

### Certificates & warranty:



### VC-4500 product features:

<b>Connection:</b>	100cm cable or built-in connector	<b>Mounting:</b>	Assembly
<b>Voltage:</b>	12-36V / 12V (CAN-busproof models)	<b>Material lens:</b>	Polycarbonate
<b>Centre distance:</b>	152mm	<b>Material housing:</b>	Polycarbonate
<b>IP-value:</b>	IP68	<b>Housing color:</b>	Black
<b>Dimensions:</b>	240 x 140 x 53,5mm	<b>Certificates:</b>	E, CE
<b>Reflector:</b>	Triangular reflector	<b>Warranty:</b>	2 years

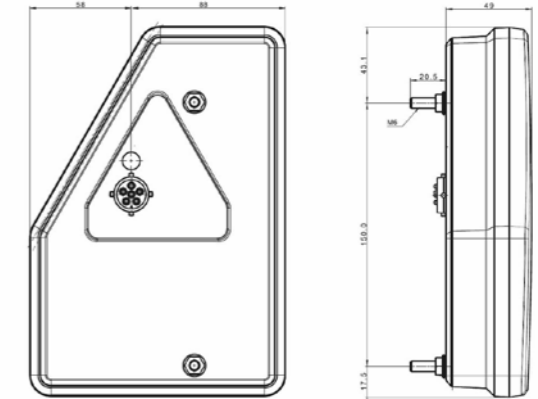
Productcode	Left	Right	Licence plate light	CAN-bus proof	6-PINs bayonet	100cm cable
VC-4501	√					√
VC-4502		√				√
VC-4511	√		√			√
VC-4512		√	√			√
VC-4501B6CAN	√			√	√	
VC-4502B6CAN		√		√	√	
VC-4511B6CAN	√		√	√	√	
VC-4512B6CAN		√	√	√	√	



LED REAR LIGHTS FOR LOWBED TRAILERS

# VC-3300 SERIES

Specifically developed for lowbed trailers and horse trailers, the VC-3300 series LED rear lights are ideal for installations where space is limited in width, yet all the functions of a rear light are still required. This series is also available with a wide range of connection options, ensuring there is a suitable variant for all your trailers.



The VC-3300 series LED triangular rear lights are ideally suited for installation in narrow spaces, such as on car transporters or horse trailers. The lamp comes standard with a 1m cable connection, and a 5-PIN and 6-PIN connection are also available as standard.

The 5-PIN version provides 5 functions (rear light, brake light, indicator, left fog light, and right reverse light + reflector). The lamp with a 1m cable and 6-PIN connector offers 6 functions (rear light, brake light, indicator, fog light, reverse light + reflector).

### Certificates & warranty:

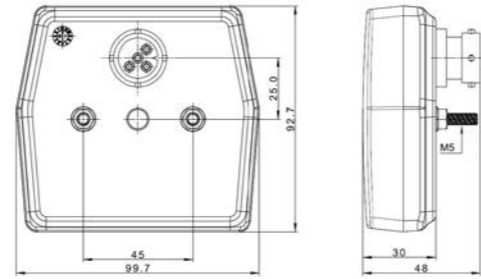


### VC-3300 product features:

<b>Connection:</b>	100cm cable or built-in connector	<b>Mounting:</b>	Assembly
<b>Voltage:</b>	12V	<b>Material lens:</b>	Polycarbonate
<b>Centre distance:</b>	150mm	<b>Material housing:</b>	Polycarbonate
<b>IP-value:</b>	IP68	<b>Housing color:</b>	Black
<b>Dimensions:</b>	146 x 210,6 x 49mm	<b>Certificates:</b>	E, CE
<b>Reflector:</b>	With triangular reflector	<b>Warranty:</b>	2 years

Productcode	Left	Right	CAN-bus proof	5-PINs bayonet	6-PINs bayonet	100cm cable
VC-3301	√					√
VC-3302		√				√
VC-3301B5	√			√		
VC-3302B5		√		√		
VC-3301B5CAN	√		√	√		
VC-3302B5CAN		√	√	√		
VC-3301B6	√				√	
VC-3302B6		√			√	





The VC-2200 series consists of universal LED rear lights in a compact size. The rear lights are available in various configurations, with the most multifunctional version serving as a rear light, brake light, indicator, and licence plate light. Additionally, separate fog light and reverse light versions are available in the same style. All functions of these rear lights are fully certified. These lamps are also equipped with either a 5-PIN bayonet connection or a 100cm connection cable, ensuring a durable and reliable connection.

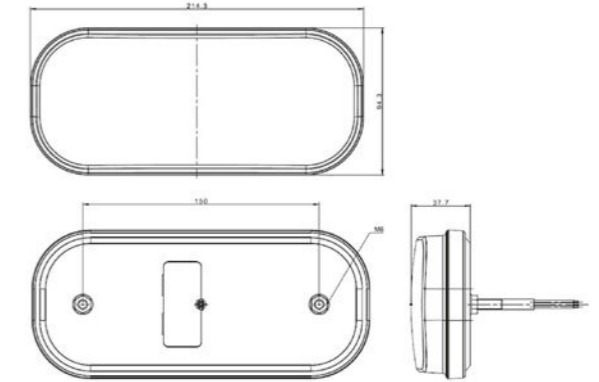
**Certificates & warranty:**



**VC-2200 series product features:**

<b>Connection:</b>	100cm cable or 5-PINs bayonet	<b>Mounting:</b>	Assembly
<b>Voltage:</b>	12V	<b>Material lens:</b>	Polycarbonate
<b>Centre distance:</b>	45mm	<b>Material housing:</b>	ABS
<b>IP-value:</b>	IP68	<b>Housing color:</b>	Black
<b>Dimensions:</b>	99,7 x 92,7 x 30mm	<b>Certificates:</b>	E, CE
<b>Reflector:</b>	Without reflector	<b>Warranty:</b>	2 years

Productcode	Rear light	Brake light	Indicator	Licence plate light	Fog light	Reverse light	5-PINs bayonet	100cm cable
VC-2200	√	√	√					√
VC-2200B5	√	√	√				√	
VC-2210	√	√	√	√				√
VC-2210B5	√	√	√	√			√	
VM-2220					√			√
VM-2220B5					√		√	
VR-2230						√		√
VR-2230B5						√	√	



The VC-2300 series LED rear lights are equipped with a dynamic indicator and are suitable for multivoltage (12V-24V). These versatile rear lights are beautifully designed and built with strong materials. The series also comes with a convenient 5-PIN bayonet, making the installation of the lamp quick and easy.

Despite its compact design, the lamp is equipped with multiple functions. Its low mounting height makes this lamp a highly versatile option that can be used for a variety of applications.

**Certificates & warranty:**



**VC-2300 series product features:**

<b>Connection:</b>	100cm cable or 5-PINs bayonet	<b>Mounting:</b>	Assembly
<b>Voltage:</b>	12-24V	<b>Material lens:</b>	Polycarbonate
<b>Centre distance:</b>	150mm	<b>Material housing:</b>	Polycarbonate
<b>IP-value:</b>	IP68	<b>Housing color:</b>	Black
<b>Dimensions:</b>	214,3 x 94,3 x 36,2mm	<b>Certificates:</b>	E, CE
<b>Reflector:</b>	Rectangular reflector	<b>Warranty:</b>	2 years

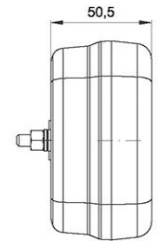
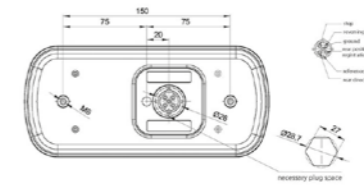
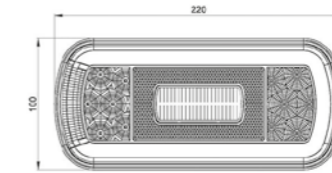
Productcode	Rear light	Brake light	Indicator	Fog light	Reverse light	Licence plate light	5-PINs bayonet	100cm cable
VC-2300	√	√	√	√				√
VC-2300B5	√	√	√	√			√	
VC-2310	√	√	√		√			√
VC-2310B5	√	√	√		√		√	
VC-2320	√	√	√	√		√		√
VC-2320B5	√	√	√	√		√	√	
VC-2330	√	√	√		√	√		√
VC-2330B5	√	√	√		√	√	√	



ELEGANT, MULTIFUNCTIONAL LED REAR LIGHT

# 600 SERIES

These 600 series rear lights are a unique range that gives your vehicle a modern and distinctive appearance. The 600 series is available in various configurations, with the most multifunctional light in this series serving not only as a rear light but also as a brake light, indicator, license plate lighting, fog light, and reverse light. All functions of these rear lights are fully certified, and the light can be mounted both vertically and horizontally. Additionally, this light is equipped with a 5-PIN bayonet connection, but it is also available with a cable for connection.



These LED rear lights with Lavaflow neon-look give your vehicle a modern and unique appearance. The bright LEDs integrated into the Lavaflow design enhance visibility. The light is waterproof and features all necessary E-mark certifications, making it roadworthy. This lamp comes standard with a 5-PIN bayonet connection or a 100cm connection cable.

The benefits of the VC-600 series: this rear light is approved for both horizontal and vertical mounting, boasts a unique design, is compact, and is available in a version with reverse light and license plate lighting as included features. The VC-600 series rear lights are therefore an excellent choice as a complete rear light solution for your small trailer.

### Certificates & warranty:

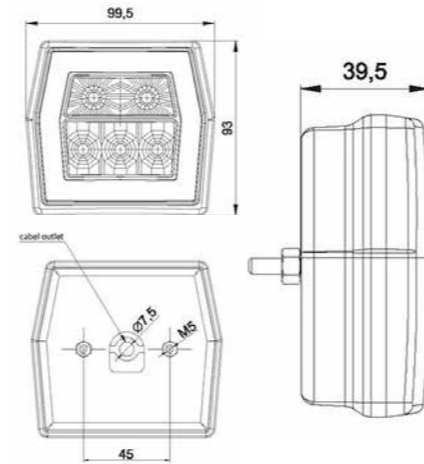
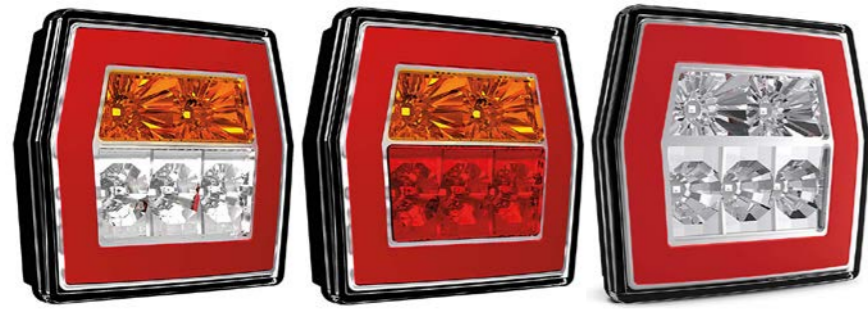


### VC-600 series product features:

<b>Connection:</b>	100cm cable or 5-PINs bayonet	<b>Mounting:</b>	Assembly
<b>Voltage:</b>	12-24V	<b>Material lens:</b>	Polycarbonate
<b>Centre distance:</b>	150mm	<b>Material housing:</b>	Polycarbonate
<b>IP-value:</b>	IP68	<b>Housing color:</b>	Black
<b>Dimensions:</b>	220 x 100 x 50,5mm	<b>Certificates:</b>	E, CE
<b>Reflector:</b>	Rectangular reflector	<b>Warranty:</b>	2 years

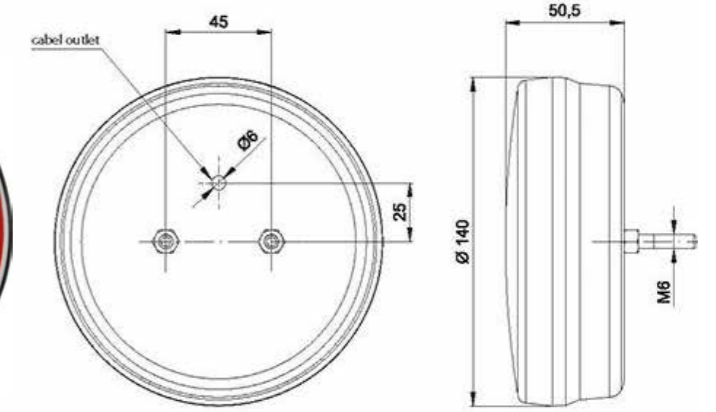
Productcode	Rear light	Brake light	Indicator	Fog light	Reverse light	Licence plate light	5-PINs bayonet	100cm cable
V10C5-600	√	√	√	√				√
V10C5-600B5	√	√	√	√			√	
V10C5-610	√	√	√		√			√
V10C5-610B5	√	√	√		√		√	
V10C6-620	√	√	√	√		√		√
V10C6-620B5	√	√	√	√		√	√	
V10C6-630	√	√	√		√	√		√
V10C6-630B5	√	√	√		√	√	√	





V10C3-800(B5)

V10C3-830(B5)



The 700 series universal LED rear lights are equipped with the Lavaflow look and are very compact. This makes them highly suitable for use on trucks, trailers, semi-trailers, and/or other towed vehicles. The bright LEDs, designed with the attractive Lavaflow effect, ensure excellent visibility on the road. These lights are waterproof and come with all necessary E-certifications, allowing them to be used on public roads. The rear lights come with a 5-pin bayonet connection or a 100cm connection cable. This series includes various variants, each with its own set of included functions.

**Certificates & warranty:**



**VC-700 series product features:**

<b>Connection:</b>	100cm cable or 5-PINs bayonet	<b>Mounting:</b>	Assembly
<b>Voltage:</b>	12-24V	<b>Material lens:</b>	Polycarbonate
<b>Centre distance:</b>	45mm	<b>Material housing:</b>	Polycarbonate
<b>IP-value:</b>	IP68	<b>Housing color:</b>	Black
<b>Dimensions:</b>	99,5 x 93 x 39,5mm	<b>Certificates:</b>	E, CE
<b>Reflector:</b>	Without reflector	<b>Warranty:</b>	2 years

Productcode	Rear light	Brake light	Indicator	Licence plate light	Lens color	5-PINs bayonet	100cm cable
V10C3-700	√	√	√				√
V10C3-710	√	√	√				√
V10C3-720	√	√	√				√
V10C4-730	√	√	√	√			√
V10C4-740	√	√	√	√			√
V10C4-750	√	√	√	√			√
V10C3-700B5	√	√	√			√	
V10C3-710B5	√	√	√			√	
V10C3-720B5	√	√	√			√	
V10C4-730B5	√	√	√	√		√	
V10C4-740B5	√	√	√	√		√	
V10C4-750B5	√	√	√	√		√	

The 800-series LED rear lights consist of a range of universal round rear lights, with four variants included in this catalog. All variants in this catalog are equipped with the essential functions, namely rear light, brake light, and indicator. The only difference between the 800 and 830 series is the design of the indicator, which has a different shape. Connecting the lights is quick and easy with the 100cm cable or the convenient 5-pin bayonet connection.

**Certificates & warranty:**



**VC-800 series product features:**

<b>Connection:</b>	100cm cable or 5-PINs bayonet	<b>Material lens:</b>	Polycarbonate
<b>Voltage:</b>	12-24V	<b>Material housing:</b>	Polycarbonate
<b>Centre distance:</b>	45mm	<b>Housing color:</b>	Black
<b>IP-value:</b>	IP68	<b>Certificates:</b>	E, CE
<b>Dimensions:</b>	ø140 x 50,5mm	<b>Warranty:</b>	2 years
<b>Mounting:</b>	Assembly		

Productcode	Rear light	Brake light	Indicator	Fog light	Reverse light	5-PINs bayonet	100cm cable
V10C3-800	√	√	√				√
V10C3-800B5	√	√	√			√	
V10C3-830	√	√	√				√
V10C3-830B5	√	√	√			√	
V10C2-810	√			√			√
V10C2-810B5	√			√		√	
V10C2-820	√				√		√
V10C2-820B5	√				√	√	



DISCOVER THE RANGE

# LED SIDE MARKER LIGHTS

Alert other road users to the width of your vehicle with the striking LED side marker lights from TRALERT®. The ideal lighting to indicate your vehicle's width. These lights are not only perfect for alerting others, but also assist in gauging the length of your vehicle when reversing. TRALERT®'s LED side marker lights come in various shapes, sizes, and colors, ensuring there's always a suitable option for your vehicle. Explore the next pages to find out which LED side marker lights best suit your small trailer!

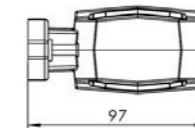
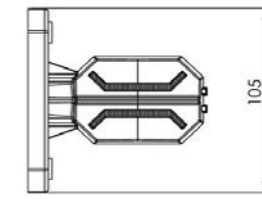
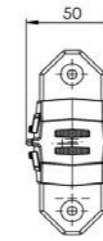




STRIKING LED SIDE MARKER LIGHTS

# DRAGON SERIES

LED side marker lights in three different lengths, featuring striking contour lighting: meet the Dragon Series from TRALERT®. These sleek lighting strips give your small trailer a unique dark-look style. Available in three lengths and with various connection options. Explore the possibilities on the next three pages.



The MB-6000RWA is the shortest variant in the Dragon Series and features a short straight stem. Thanks to its fully symmetrical design, this variant can be mounted on either the Left or right side of your vehicle. The MB-6000RWA is equipped with white, amber, and red lighting and comes with an open wire end.

**Certificates & warranty:**



**Colors:**



**Dragon Series product features:**

<b>Connection:</b>	Open wire end	<b>Cable length:</b>	50cm
<b>Voltage:</b>	12-24V	<b>Material housing:</b>	Rubber
<b>Centre distance:</b>	78mm	<b>Housing color:</b>	Black
<b>IP-value:</b>	IP68	<b>Lens color:</b>	Red / white / amber
<b>Side:</b>	Left or right	<b>Certificates:</b>	E, CE
<b>Dimensions:</b>	97 x 105 x 50mm	<b>Warranty:</b>	2 years

Productcode	Left	Right	Open wire end
MB-6000RWA	√	√	√





The MB-6051RWA and MB-6052RWA are variants from the Dragon Series featuring a short angled stem. This design provides a unique product for the left and right sides, which can be found in the product number overview at the bottom of the page. The MB-6051RWA and MB-6052RWA are equipped with white, amber, and red lighting and come with an open wire end.

Certificates & warranty:



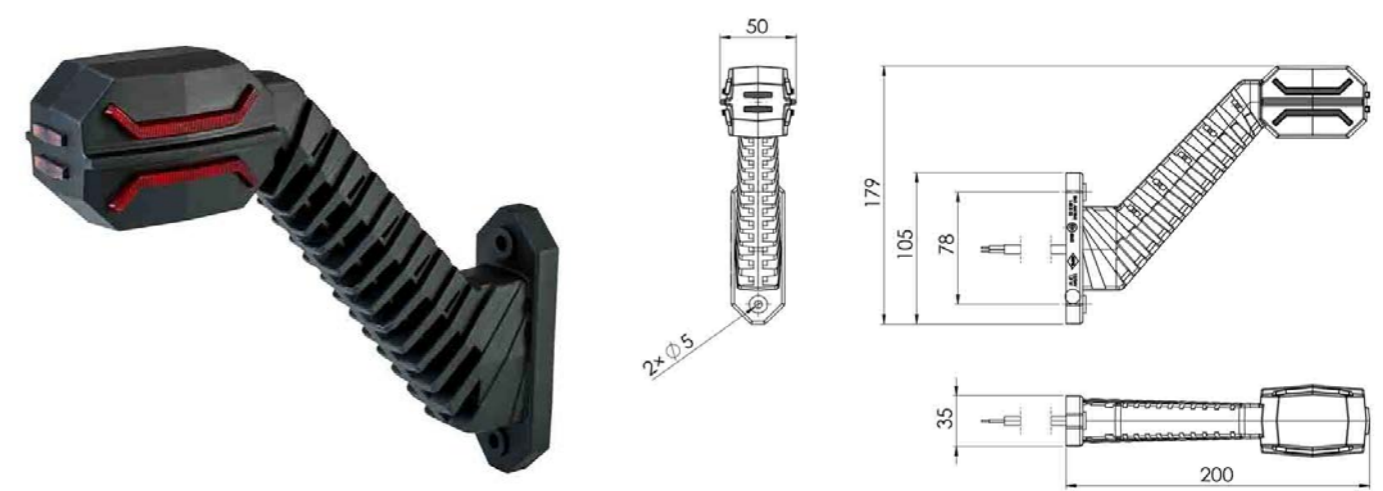
Colors:



Dragon Series product features:

<b>Connection:</b>	Open wire end	<b>Cable length:</b>	50cm
<b>Voltage:</b>	12-24V	<b>Material housing:</b>	Rubber
<b>Centre distance:</b>	78mm	<b>Housing color:</b>	Black
<b>IP-value:</b>	IP68	<b>Lens color:</b>	Red / white / amber
<b>Side:</b>	Left or right	<b>Certificates:</b>	E, CE
<b>Dimensions:</b>	135 x 109 x 50mm	<b>Warranty:</b>	2 years

Productcode	Left	Right	Open wire end
MB-6051RWA	√		√
MB-6052RWA		√	√



The products on this page are variants from the Dragon Series featuring a long angled stem, making them particularly suitable for larger trailers. A unique product is available for both the left and right sides, which can be found in the product number overview at the bottom of the page. The long variants of the Dragon Series are equipped with white, amber, and red lighting and come with an open wire end or connector, as shown in the table.

Certificates & warranty:



Colors:

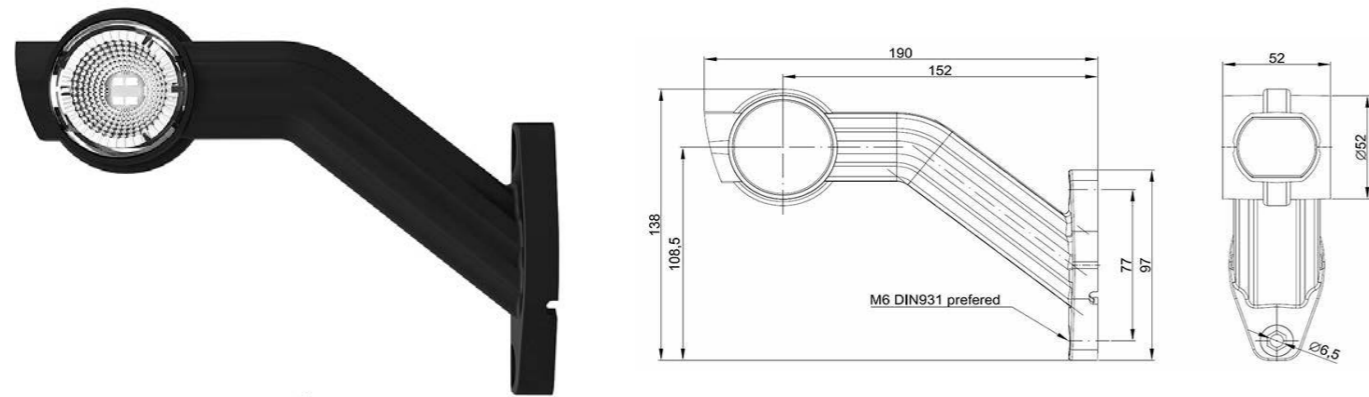


Dragon Series product features:

<b>Connection:</b>	Open wire end or connector (see table)	<b>Cable length:</b>	50cm
<b>Voltage:</b>	12-24V	<b>Material housing:</b>	Rubber
<b>Centre distance:</b>	78mm	<b>Housing color:</b>	Black
<b>IP-value:</b>	IP68	<b>Lens color:</b>	Red / white / amber
<b>Side:</b>	Left or right	<b>Certificates:</b>	E, CE
<b>Dimensions:</b>	200 x 179 x 50mm	<b>Warranty:</b>	2 years

Productcode	Left	Right	Open wire end	0,75mm <sup>2</sup> connector	SuperSeal connector
MB-6001RWA	√		√		
MB-6002RWA		√	√		
MB-6011RWA	√			√	
MB-6012RWA		√		√	
MB-6001RWA-SS	√				√
MB-6002RWA-SS		√			√





The M10BV-700 series consists of LED side marker lights designed for multivoltage (12-24V) use on the Left or right side. The side marker lights are highly suitable for installation on your small trailer. With its rubber housing, this light is highly resistant to damage, ensuring a long lifespan. Various connection options are available.

Certificates & warranty:



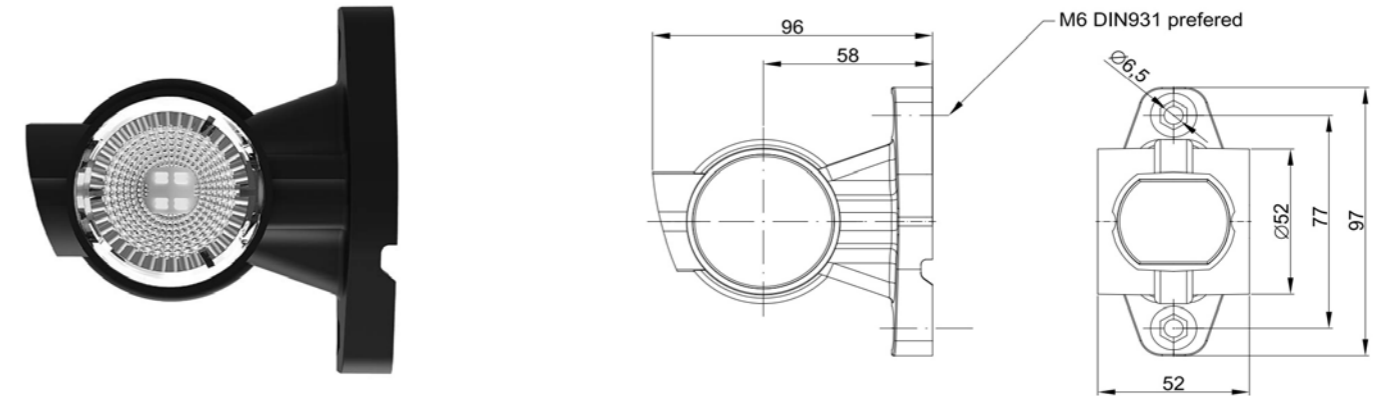
Colors:



M10BV-700 series product features:

<b>Connection:</b>	Open wire end of connector (see table)	<b>Cable length:</b>	20cm (open wire end) or 50cm (connector)
<b>Voltage:</b>	12-24V	<b>Material housing:</b>	Rubber
<b>Centre distance:</b>	77mm	<b>Housing color:</b>	Black
<b>IP-value:</b>	IP68	<b>Lens color:</b>	Red / white / amber
<b>Side:</b>	Left or right	<b>Certificates:</b>	E, CE
<b>Dimensions:</b>	190 x 138 x 52mm	<b>Warranty:</b>	2 years

Productcode	Left	Right	Open wire end	0,75mm <sup>2</sup> connector	SuperSeal connector
M10BV-701RWA	√		√		
M10BV-701RWA-SS	√				√
M10BV-702RWA		√	√		
M10BV-702RWA-SS		√			√
M10BV-711RWA	√			√	
M10BV-712RWA		√		√	



The M10BV-900 series consists of LED side marker lights designed for multivoltage (12-24V) use on the left or right side. The side marker lights are highly suitable for installation on your small trailer. With its rubber housing, this light is highly resistant to damage, ensuring a long lifespan. Various connection options are available.

Certificates & warranty:



Colors:

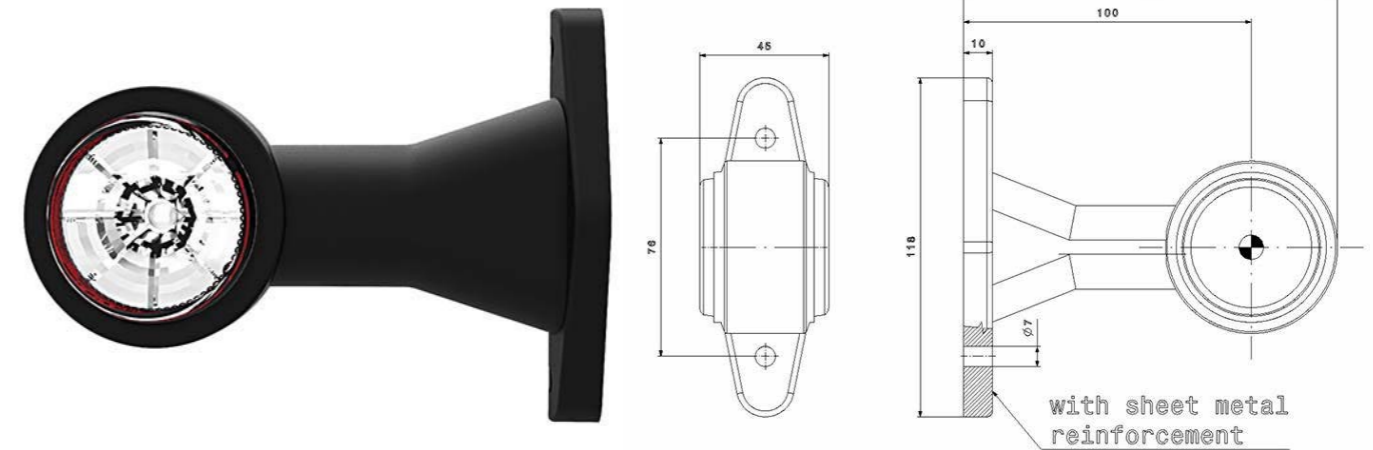
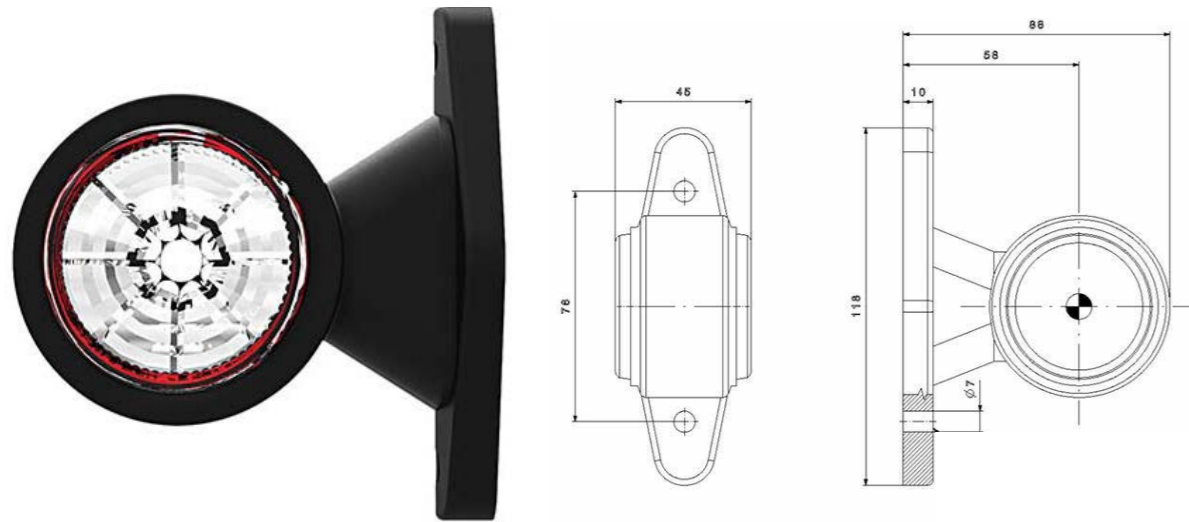


M10BV-900 series product features:

<b>Connection:</b>	Open wire end of 0,75mm <sup>2</sup> connector	<b>Cable length:</b>	20cm (open wire end) or 50cm (connector)
<b>Voltage:</b>	12-24V	<b>Material housing:</b>	Rubber
<b>Centre distance:</b>	77mm	<b>Housing color:</b>	Black
<b>IP-value:</b>	IP68	<b>Lens color:</b>	Red / white / amber
<b>Side:</b>	Left or right	<b>Certificates:</b>	E, CE
<b>Dimensions:</b>	97 x 96 x 52mm	<b>Warranty:</b>	2 years

Productcode	Left	Right	Open wire end	0,75mm <sup>2</sup> connector
M10BV-901RWA	√		√	
M10BV-902RWA		√	√	
M10BV-911RWA	√			√
M10BV-912RWA		√		√





The M10BV-100 series consists of three LED side marker lights with red and white marker lights, designed for multivoltage (12-24V) use. This pendant light is suitable for both the left and right sides. The light is equipped with the necessary E-markings for road use. The side marker lights feature a compact size, and the housing is made of flexible high-quality rubber, ensuring a long lifespan.

The M10BV-200 series consists of three LED side marker lights with red and white marker lights, designed for multivoltage (12-24V). This pendant light is suitable for both the left and right sides. The light is equipped with the necessary E-markings for road use. The side marker lights have a compact size, and the housing is made of flexible high-quality rubber, ensuring a long lifespan.

Certificates & warranty:



Colors:



Certificates & warranty:



Colors:



M10BV-100 series product features:

<b>Connection:</b>	Open wire end or 0,75mm <sup>2</sup> connector	<b>Cable length:</b>	30cm
<b>Voltage:</b>	12-24V	<b>Material housing:</b>	Rubber
<b>Centre distance:</b>	76mm	<b>Housing color:</b>	Black
<b>IP-value:</b>	IP68	<b>Lens color:</b>	Red / white
<b>Side:</b>	Universal	<b>Certificates:</b>	E, CE
<b>Dimensions:</b>	118 x 88 x 45mm	<b>Warranty:</b>	2 years

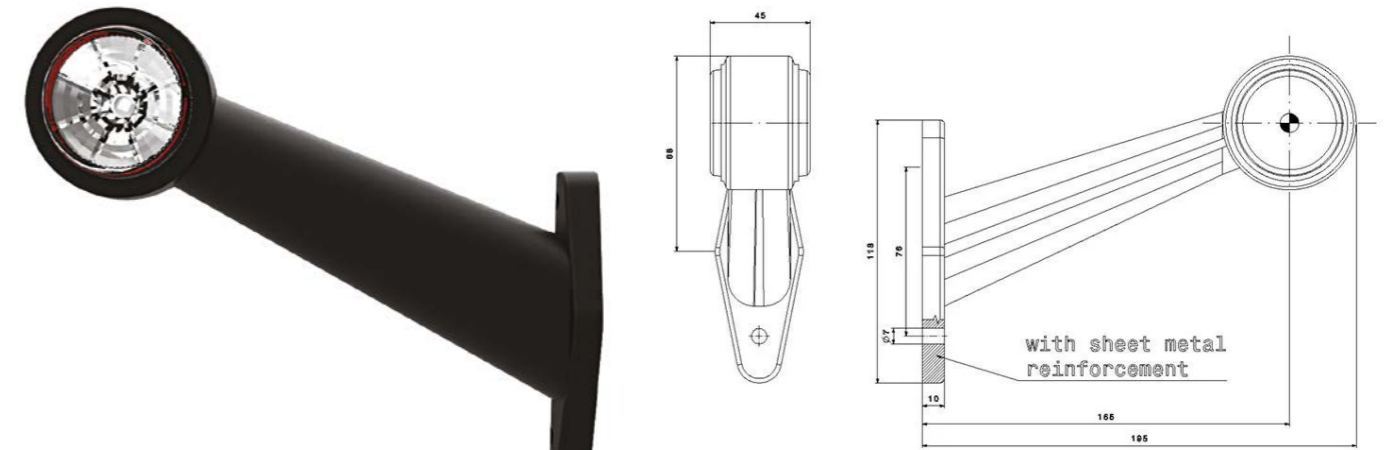
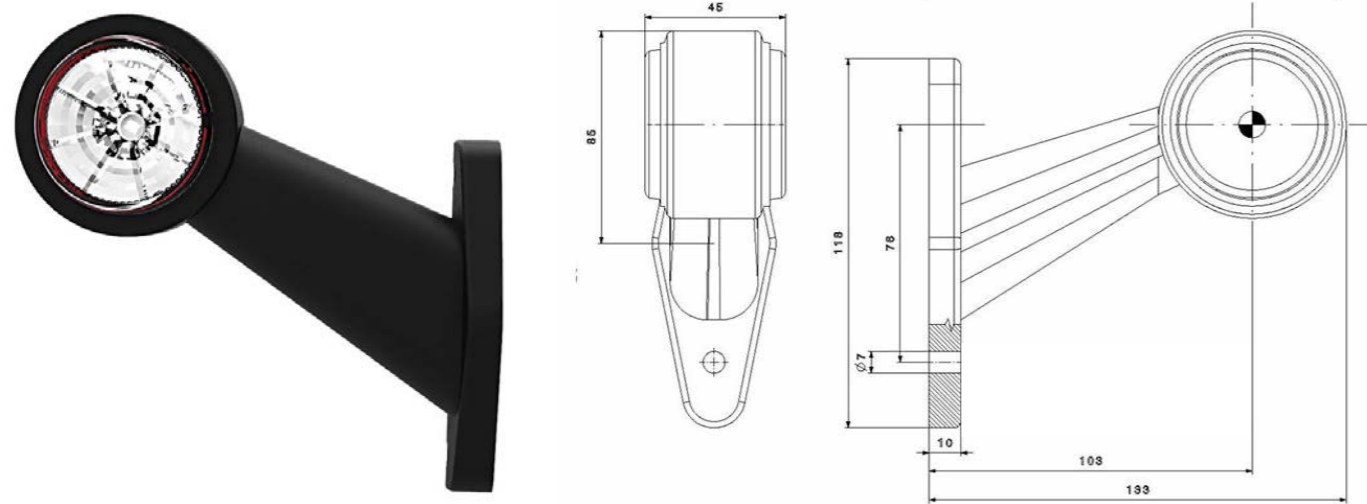
M10BV-200 series product features:

<b>Connection:</b>	Open wire end or 0,75mm <sup>2</sup> connector	<b>Cable length:</b>	30cm
<b>Voltage:</b>	12-24V	<b>Material housing:</b>	Rubber
<b>Centre distance:</b>	76mm	<b>Housing color:</b>	Black
<b>IP-value:</b>	IP68	<b>Lens color:</b>	Red / white
<b>Side:</b>	Universal	<b>Certificates:</b>	E, CE
<b>Dimensions:</b>	118 x 130 x 45mm	<b>Warranty:</b>	2 years

Productcode	Open wire end	0,75mm <sup>2</sup> connector
M10BV-100RW	✓	
M10BV-110RW		✓

Productcode	Open wire end	0,75mm <sup>2</sup> connector
M10BV-200RW	✓	
M10BV-210RW		✓





The M10BV-300 series consists of LED side marker lights designed for multivoltage (12-24V) use on either the left or right side. These side marker lights are ideal for mounting on your small trailer. With a rubber housing, the lamp is highly resistant to damage and will therefore have a long lifespan. Various connection options are available.

The M10BV-500 series consists of LED side marker lights designed for multivoltage (12-24V) use on either the left or right side of your vehicle. These side marker lights are ideal for installation on wide small trailers. With a rubber housing, the lights are highly resistant to damage, ensuring a long lifespan. Various connection options are available.

**Certificates & warranty:**

**Colors:**



**Certificates & warranty:**

**Colors:**



**M10BV-300 series product features:**

<b>Connection:</b>	Open wire end or 0,75mm <sup>2</sup> connector	<b>Cable length:</b>	30cm
<b>Voltage:</b>	12-24V	<b>Material housing:</b>	Rubber
<b>Centre distance:</b>	76mm	<b>Housing color:</b>	Black
<b>IP-value:</b>	IP68	<b>Lens color:</b>	Red / white
<b>Side:</b>	Left or right	<b>Certificates:</b>	E, CE
<b>Dimensions:</b>	133 x 118 x 45mm	<b>Warranty:</b>	2 years

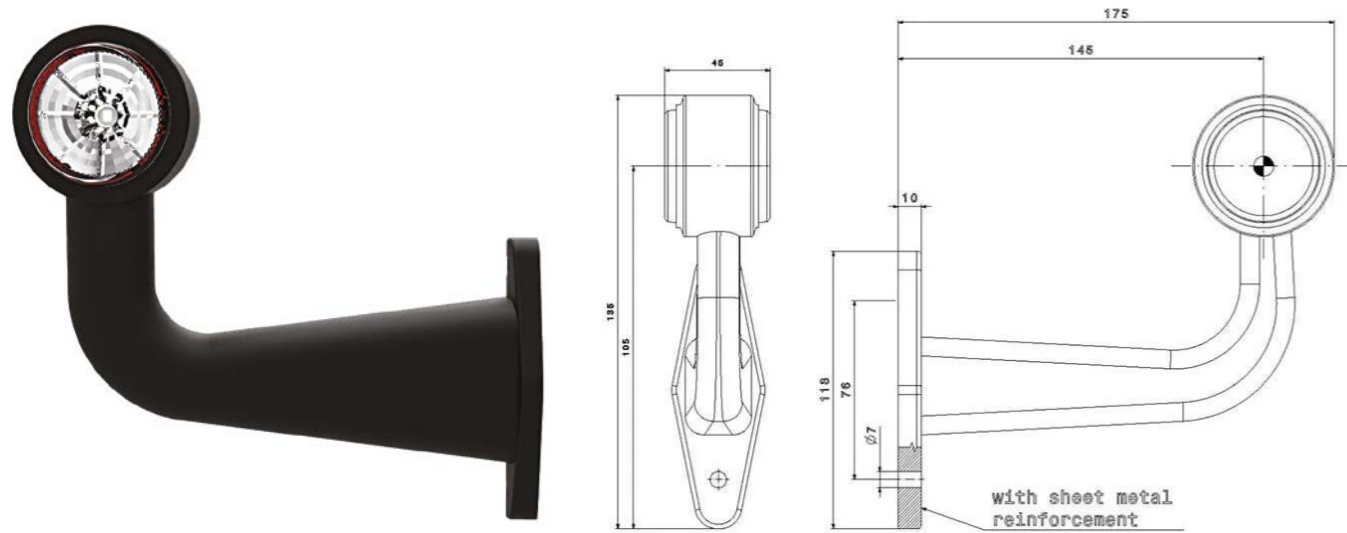
**M10BV-500 series product features:**

<b>Connection:</b>	Open wire end or 0,75mm <sup>2</sup> connector	<b>Cable length:</b>	30cm
<b>Voltage:</b>	12-24V	<b>Material housing:</b>	Rubber
<b>Centre distance:</b>	76mm	<b>Housing color:</b>	Black
<b>IP-value:</b>	IP68	<b>Lens color:</b>	Red / white
<b>Side:</b>	Left or right	<b>Certificates:</b>	E, CE
<b>Dimensions:</b>	195 x 135 x 45mm	<b>Warranty:</b>	2 years

Productcode	Left	Right	Open wire end	0,75mm <sup>2</sup> connector
M10BV-301RW	√			
M10BV-302RW		√	√	
M10BV-311RW	√			√
M10BV-312RW		√		√

Productcode	Left	Right	Open wire end	0,75mm <sup>2</sup> connector
M10BV-501RW	√			
M10BV-502RW		√	√	
M10BV-511RW	√			√
M10BV-512RW		√		√





The M10BV-600 series consists of LED side marker lights designed for multivoltage (12-24V) use on either the left or right side. These side marker lights are ideal for installation on agricultural vehicles and earth-moving machines. With a rubber housing, the lights are highly resistant to damage, ensuring a long lifespan. Various connection options are available.

**Certificates & warranty:**



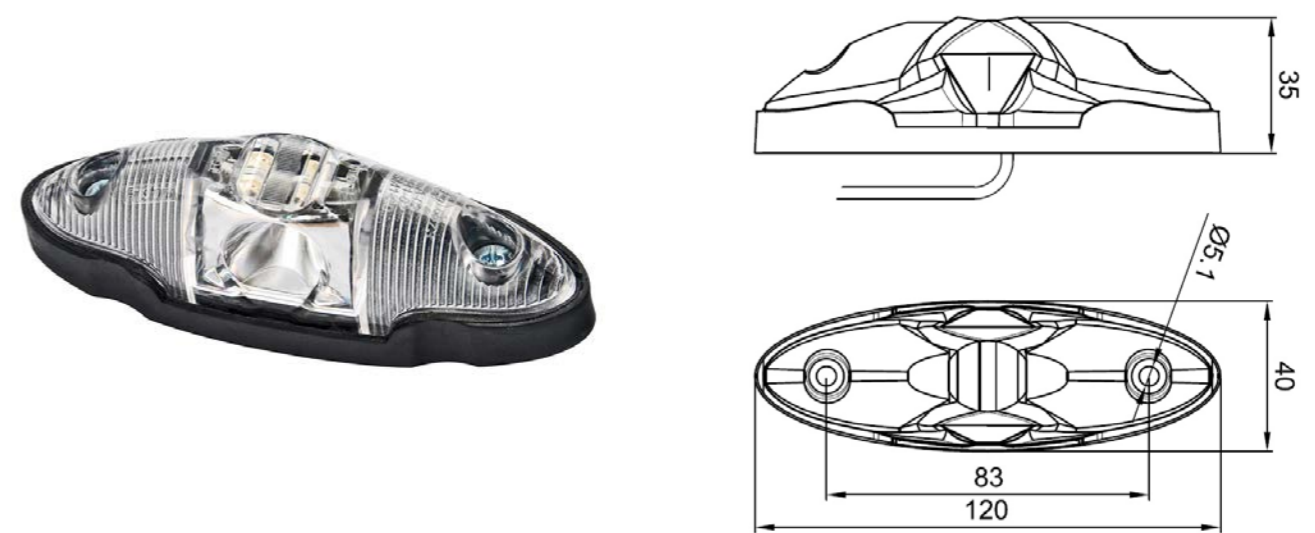
**Colors:**



**M10BV-600 series product features:**

<b>Connection:</b>	Open wire end or 0,75mm <sup>2</sup> connector	<b>Cable length:</b>	30cm
<b>Voltage:</b>	12-24V	<b>Material housing:</b>	Rubber
<b>Centre distance:</b>	76mm	<b>Housing color:</b>	Black
<b>IP-value:</b>	IP68	<b>Lens color:</b>	Red / white
<b>Side:</b>	Left or right	<b>Certificates:</b>	E, CE
<b>Dimensions:</b>	195 x 147 x 45mm	<b>Warranty:</b>	2 years

Productcode	Left	Right	Open wire end	0,75mm <sup>2</sup> connector
M10BV-601RW	√		√	
M10BV-602RW		√	√	
M10BV-611RW	√			√
M10BV-612RW		√		√



The MB-1500 series consists of LED side marker lights designed for multivoltage (12-24V) use on either the left or right side. This series features a symmetrical design, making it universally mountable. The MB-1500 series is very compact in size and is equipped with a clear transparent lens. There is a choice between a two-color variant and a three-color position light variant.

**Certificates & warranty:**



**Colors:**

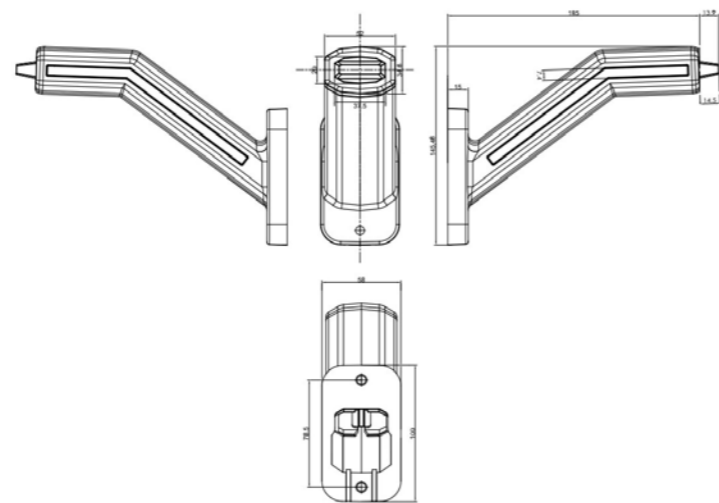


**MB-1500 series product features:**

<b>Connection:</b>	Open wire end or 0,75mm <sup>2</sup> connector	<b>Cable length:</b>	50cm
<b>Voltage:</b>	12-24V	<b>Material housing:</b>	Rubber
<b>Centre distance:</b>	83mm	<b>Housing color:</b>	Black
<b>IP-value:</b>	IP68	<b>Lens color:</b>	Transparent
<b>Side:</b>	Universal	<b>Certificates:</b>	E, CE
<b>Dimensions:</b>	120 x 40 x 35mm	<b>Warranty:</b>	2 years

Productcode	Red & white	Red, white & amber	Open wire end	0,75mm <sup>2</sup> connector
MB-1500RW	√		√	
MB-1500RWA		√	√	
MB-1510RWA		√		√





The MB-8000 series consists of LED side marker lights with three unique looks. This series is available with a clear lens, dark lens, and neon-look lens, allowing for perfect alignment with the rest of your lighting. The MB-8000 series comes standard with an angled stem, three-color position light all around, and is optionally available with synchronized side marking.

**Certificates & warranty:**



**Colors:**



**MB-8000 series product features:**

<b>Connection:</b>	40cm cable (connector upon request)	<b>Material housing:</b>	Rubber
<b>Voltage:</b>	12-24V	<b>Housing color:</b>	Black
<b>Centre distance:</b>	78,5mm	<b>Lens color:</b>	Transparent / dark / neon-look
<b>IP-value:</b>	IP69K	<b>Light color:</b>	Red / white / amber
<b>Side:</b>	Left or right	<b>Certificates:</b>	E, CE
<b>Dimensions:</b>	185 x 145,5 x 58mm	<b>Warranty:</b>	2 years

Productcode	Left	Right	Clear lens	Dark lens	Neon lens	Incl. Indicator
MB-8001RWA	√		√			
MB-8002RWA		√	√			
MB-8001RWA-I	√		√			√
MB-8002RWA-I		√	√			√
MB-8101RWA	√			√		
MB-8102RWA		√		√		
MB-8101RWA-I	√			√		√
MB-8102RWA-I		√		√		√
MB-8201RWA	√				√	
MB-8202RWA		√			√	
MB-8201RWA-I	√				√	√
MB-8202RWA-I		√			√	√





DISCOVER THE RANGE

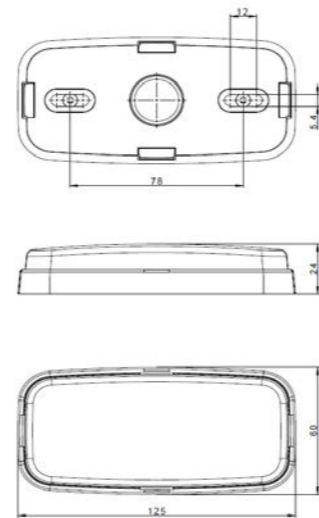
# LED MARKER LIGHTS

---

Stand out with TRALERT® LED marker lights. Featuring various beautiful styles, the highest build quality, and an extremely long lifespan. The TRALERT® LED marker lights come in different series, always available in white, amber, and red. All marker lights in this catalog are also equipped with a reflector. Discover on the following pages which LED marker lights best suit your vehicle!







Discover the MV-1200 series from TRALERT®: a series of marker lights available in amber, red, or white. Each color serves its own function. Installation is easy and quick, and the light is fully certified. The lamps are multivoltage (12-24V), making them suitable for installation on any vehicle. The MV-190 series offers multiple connection options and is available with or without a mounting bracket. See the table below for the overview.

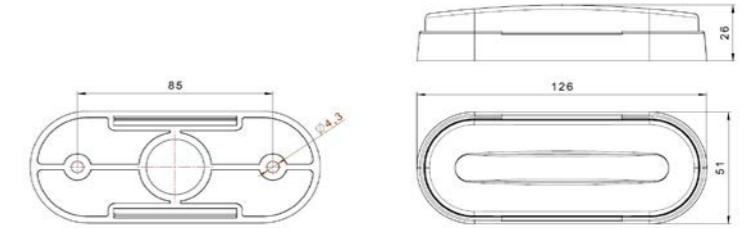
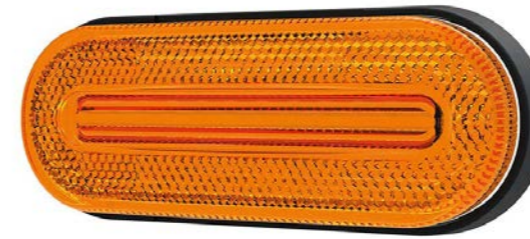
**Certificates & warranty:**



**MV-1200 series product features:**

<b>Connection:</b>	Open wire end or 0,75mm <sup>2</sup> connector	<b>Cable length:</b>	50cm
<b>Voltage:</b>	12-24V	<b>Material housing:</b>	Polycarbonate
<b>Centre distance:</b>	78mm	<b>Housing color:</b>	Black
<b>IP-value:</b>	IP67	<b>Lens color:</b>	Amber / Red / Transparent
<b>Side:</b>	Side / rear / front	<b>Light color:</b>	Amber / Red / white
<b>Dimensions:</b>	125 x 60 x 24mm	<b>Certificates:</b>	E, CE

Productcode	Amber (side)	Red (rear)	White (front)	Open wire end	0,75mm <sup>2</sup> connector	Mounting bracket
MV-1200A	✓			✓		
MV-1210A	✓				✓	
MV-1250A	✓			✓		✓
MV-1260A	✓				✓	✓
MV-1200W			✓	✓		
MV-1210W			✓		✓	
MV-1250W			✓	✓		✓
MV-1260W			✓		✓	✓
MV-1200R		✓		✓		
MV-1210R		✓			✓	
MV-1250R		✓		✓		✓
MV-1260R		✓			✓	✓



This is the MV-700 series from TRALERT®. Available in amber, red, and white, this series can be supplied with an open wire end or a 0.75mm<sup>2</sup> connector. All variants are multivoltage 12-24V, making them suitable for both 12V trailers and larger 24V trailers. Optionally, the MV-700 series can be delivered with a mounting bracket for the top side. All variants can be found in the overview at the bottom of the page.

**Certificates & warranty:**



**MV-700 series product features:**

<b>Connection:</b>	Open wire end or 0,75mm <sup>2</sup> connector	<b>Cable length:</b>	50cm
<b>Voltage:</b>	12-24V	<b>Material housing:</b>	Polycarbonate
<b>Centre distance:</b>	85mm	<b>Housing color:</b>	Black
<b>IP-value:</b>	IP67	<b>Lens color:</b>	Amber / Red / Transparent
<b>Side:</b>	Side / rear / front	<b>Light color:</b>	Amber / Red / white
<b>Dimensions:</b>	126 x 51 x 26mm	<b>Certificates:</b>	E, CE

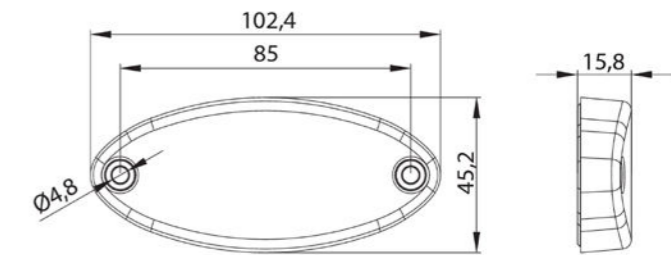
Productcode	Amber (side)	Red (rear)	White (front)	Open wire end	0,75mm <sup>2</sup> connector	Mounting bracket
M10MV-700A	✓			✓		
M10MV-710A	✓				✓	
M10MV-750A	✓			✓		✓
M10MV-760A	✓				✓	✓
M10MV-700W			✓	✓		
M10MV-710W			✓		✓	
M10MV-750W			✓	✓		✓
M10MV-760W			✓		✓	✓
M10MV-700R		✓		✓		
M10MV-710R		✓			✓	
M10MV-750R		✓		✓		✓
M10MV-760R		✓			✓	✓



THE PERFECT OVAL MARKER LIGHT

# MV-5800 SERIES

The MV-5800 series is a line of marker lights from TRALERT®. This series consists of the signature oval marker lights, commonly used on most small trailers and trailers. The MV-5800 is universally applicable and available in 3 colors (amber, red, and white). The series comes with mounting brackets and several standard connections. Custom-made solutions are also available.



The perfect oval marker light, commonly used on most small trailers and trailers from well-known brands such as Henra, Hapert, Saris, as well as Hella and Aspöck. These marker lights are available in 3 colors, with or without mounting brackets, and come with 3 standard connection options. Due to its popular size, this series of marker lights is highly suitable for use in the small trailer world.

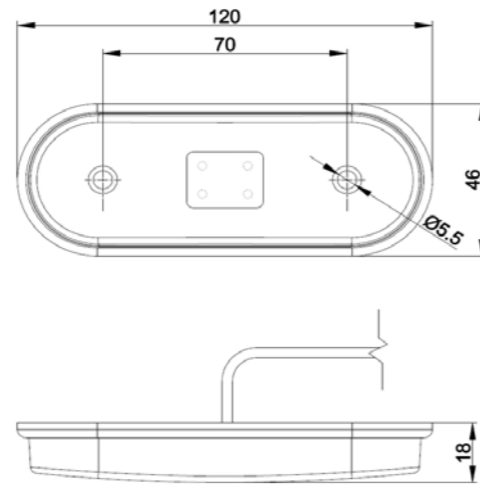
**Certificates & warranty:**

**MV-5800 series product features:**

<b>Connection:</b>	Open wire end or 0,75mm <sup>2</sup> connector	<b>Cable length:</b>	50cm
<b>Voltage:</b>	12-24V	<b>Material housing:</b>	Polycarbonate
<b>Centre distance:</b>	85mm	<b>Housing color:</b>	Black
<b>IP-value:</b>	IP67	<b>Lens color:</b>	Amber / Red / Transparent
<b>Side:</b>	Side / rear / front	<b>Light color:</b>	Amber / Red / white
<b>Dimensions:</b>	102,4 x 45,2 x 15,8mm	<b>Certificates:</b>	E, CE

Productcode	Amber (side)	Red (rear)	White (front)	Open wire end	0,75mm <sup>2</sup> connector	Mounting bracket top side	Mounting bracket side
MV-5800A	✓			✓			
MV-5810A	✓				✓		
MV-5850A	✓			✓		✓	
MV-5860A	✓				✓	✓	
MV-5800W			✓	✓			
MV-5810W			✓		✓		
MV-5850W			✓	✓		✓	
MV-5860W			✓		✓	✓	
MV-5890W			✓	✓			
MV-5893W			✓		✓		
MV-5800R		✓		✓			✓
MV-5810R		✓			✓		✓
MV-5850R		✓		✓		✓	
MV-5860R		✓			✓	✓	
MV-5890R		✓		✓			✓
MV-5893R		✓			✓		✓





Meet the MV-1400 series from TRALERT®. A series of marker lights available in amber, red, or white colors. Each color has its own function. Mounting is quick and easy, and the light is, of course, fully certified. The lights are designed in multivoltage (12-24V), making them suitable for installation on any vehicle. The MV-1400 series offers multiple connection options and is available with a mounting bracket. See the table below for the overview.

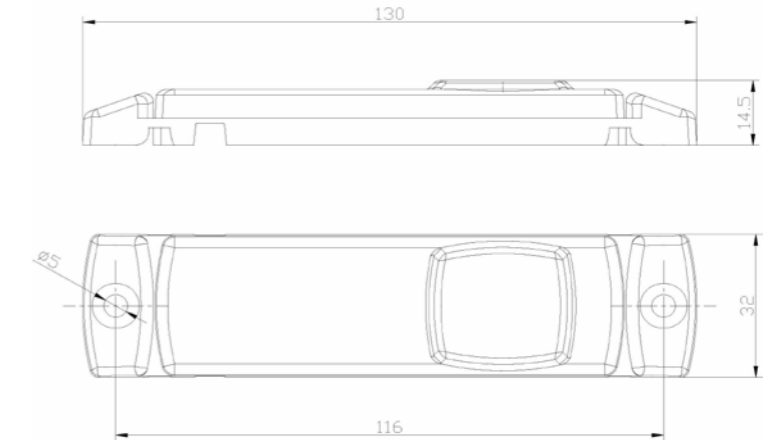
**Certificates & warranty:**



**MV-1400 series product features:**

<b>Connection:</b>	Open wire end or 0,75mm <sup>2</sup> connector	<b>Cable length:</b>	50cm
<b>Voltage:</b>	12-24V	<b>Material housing:</b>	Polycarbonate
<b>Centre distance:</b>	70mm	<b>Housing color:</b>	Black
<b>IP-value:</b>	IP67	<b>Lens color:</b>	Amber / Red / Transparent
<b>Side:</b>	Side / rear / front	<b>Light color:</b>	Amber / Red / white
<b>Dimensions:</b>	120 x 46 x 18mm	<b>Certificates:</b>	E, CE

Productcode	Amber (side)	Red (rear)	White (front)	Open wire end	0,75mm <sup>2</sup> connector	Mounting bracket
MV-1400A	✓			✓		
MV-1410A	✓				✓	
MV-1450A	✓			✓		✓
MV-1460A	✓				✓	✓
MV-1400W			✓	✓		
MV-1410W			✓		✓	
MV-1450W			✓	✓		✓
MV-1460W			✓		✓	✓
MV-1400R		✓		✓		
MV-1410R		✓			✓	
MV-1450R		✓		✓		✓
MV-1460R		✓			✓	✓



This is the MV-190 series from TRALERT®. A series of marker lights available in amber, red, or white colors. Each color serves its own function. Mounting is quick and easy, and the light is, of course, fully certified. The lights are designed in multivoltage (12-24V), making them suitable for installation on any vehicle. The MV-190 series offers multiple connection options. See the table at the bottom of this page for the overview.

**Certificates & warranty:**

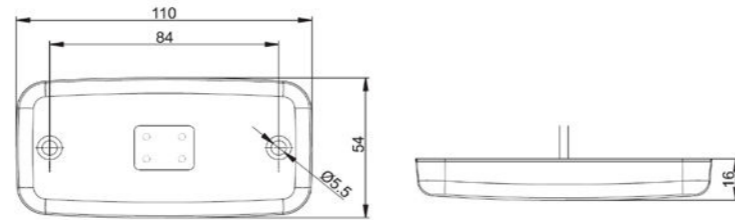


**MV-190 series product features:**

<b>Connection:</b>	Open wire end or 0,75mm <sup>2</sup> connector	<b>Cable length:</b>	50cm
<b>Voltage:</b>	12-24V	<b>Material housing:</b>	Polycarbonate
<b>Centre distance:</b>	116mm	<b>Housing color:</b>	Black
<b>IP-value:</b>	IP67	<b>Lens color:</b>	Amber / Red / Transparent
<b>Side:</b>	Side / rear / front	<b>Light color:</b>	Amber / Red / white
<b>Dimensions:</b>	130 x 32 x 14,5mm	<b>Certificates:</b>	E, CE

Productcode	Amber (side)	Red (rear)	White (front)	Open wire end	0,75mm <sup>2</sup> connector
M10MV-190A	✓			✓	
M10MV-193A	✓				✓
M10MV-190W			✓	✓	
M10MV-193W			✓		✓
M10MV-190R		✓		✓	
M10MV-193R		✓			✓





12-24V multivoltage, available in three colors, and with multiple connection options: discover the MV-600 series LED marker lights from TRALERT®. This series of marker lights comes with all necessary certifications for safe and legal marking of your small trailer on public roads. You can choose a white variant for the front, an amber variant for the sides, or a red variant for the rear. See the overview at the bottom of the page.

**Certificates & warranty:**



**MV-600 series product features:**

<b>Connection:</b>	Open wire end or 0,75mm <sup>2</sup> connector	<b>Cable length:</b>	50cm
<b>Voltage:</b>	12-24V	<b>Material housing:</b>	Polycarbonate
<b>Centre distance:</b>	84mm	<b>Housing color:</b>	Black
<b>IP-value:</b>	IP67	<b>Lens color:</b>	Amber / Red / Transparent
<b>Side:</b>	Side / rear / front	<b>Light color:</b>	Amber / Red / white
<b>Dimensions:</b>	110 x 54 x 16mm	<b>Certificates:</b>	E, CE

Productcode	Amber (side)	Red (rear)	White (front)	Open wire end	0,75mm <sup>2</sup> connector	Mounting bracket
M10MV-600A	✓			✓		
M10MV-610A	✓				✓	
M10MV-650A	✓			✓		✓
M10MV-660A	✓				✓	✓
M10MV-600W			✓	✓		
M10MV-610W			✓		✓	
M10MV-650W			✓	✓		✓
M10MV-600R		✓		✓		
M10MV-650R		✓		✓		✓



A rectangular and slim marker light that is optionally available with a mounting bracket: the MV-5600 series LED marker lights from TRALERT®. Like the rest of the series in this catalog, this series is available with an amber lens, white lens, or red lens. This makes it possible to find the suitable variant for each side of your small trailer. You can also choose between a version with an open wire end or a version with a 0.75mm<sup>2</sup> connector.

**Certificates & warranty:**

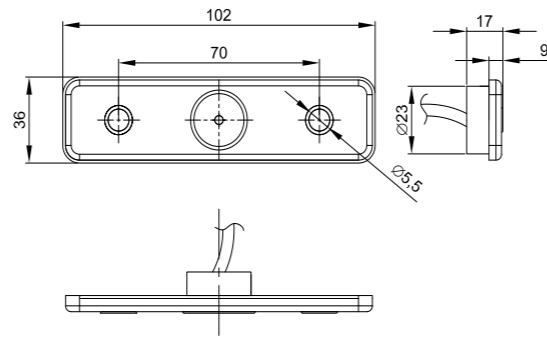


**MV-5600 series product features:**

<b>Connection:</b>	Open wire end or 0,75mm <sup>2</sup> connector	<b>Cable length:</b>	50cm
<b>Voltage:</b>	12-24V	<b>Material housing:</b>	Polycarbonate
<b>Centre distance:</b>	75mm	<b>Housing color:</b>	Black
<b>IP-value:</b>	IP67	<b>Lens color:</b>	Amber / Red / Transparent
<b>Side:</b>	Side / rear / front	<b>Light color:</b>	Amber / Red / white
<b>Dimensions:</b>	110 x 45 x 9mm	<b>Certificates:</b>	E, CE

Productcode	Amber (side)	Red (rear)	White (front)	Open wire end	0,75mm <sup>2</sup> connector	Mounting bracket
MV-5600A	✓			✓		
MV-5610A	✓				✓	
MV-5650A	✓			✓		✓
MV-5660A	✓				✓	✓
MV-5600W			✓	✓		
MV-5610W			✓		✓	
MV-5650W			✓	✓		✓
MV-5660W			✓		✓	✓
MV-5600R		✓		✓		
MV-5610R		✓			✓	
MV-5650R		✓		✓		✓
MV-5660R		✓			✓	✓





Looking for a wide, slim, and thin marker light? Then the MV-2900 series from TRALERT® is the perfect choice for you. This series of marker lights consists of many variants, 12 of which are listed in this catalog. Available with an amber, red, or white lens, and can be connected using an open wire end or a 0.75mm<sup>2</sup> connector. A mounting bracket is also available. For the full product overview, please refer to the table at the bottom of the page.

**Certificates & warranty:**



**MV-2900 series product features:**

<b>Connection:</b>	Open wire end or 0,75mm <sup>2</sup> connector	<b>Cable length:</b>	50cm
<b>Voltage:</b>	12-24V	<b>Material housing:</b>	Polycarbonate
<b>Centre distance:</b>	70mm	<b>Housing color:</b>	Black
<b>IP-value:</b>	IP67	<b>Lens color:</b>	Amber / Red / Transparent
<b>Side:</b>	Side / rear / front	<b>Light color:</b>	Amber / Red / white
<b>Dimensions:</b>	94 x 36 x 9mm	<b>Certificates:</b>	E, CE

Productcode	Amber (side)	Red (rear)	White (front)	Open wire end	0,75mm <sup>2</sup> connector	Mounting bracket
MV-2900A	✓			✓		
MV-2910A	✓				✓	
MV-2950A	✓			✓		✓
MV-2960A	✓				✓	✓
MV-2900W			✓	✓		
MV-2910W			✓		✓	
MV-2950W			✓	✓		✓
MV-2960W			✓		✓	✓
MV-2900R		✓		✓		
MV-2910R		✓			✓	
MV-2950R		✓		✓		✓
MV-2960R		✓			✓	✓

This is the MV-2700 series from TRALERT®. A series of marker lights available in amber, red, or white. Notable for its compact size of only 65 x 42 x 30mm (excluding the bracket). This rectangular marker light is available with multiple connections and is standard in 12-24V multivoltage. Discover at the bottom of this page which variant best suits your lighting needs.

**Certificates & warranty:**



**MV-2700 series product features:**

<b>Connection:</b>	Open wire end or 0,75mm <sup>2</sup> connector	<b>Cable length:</b>	50cm
<b>Voltage:</b>	12-24V	<b>Material housing:</b>	Polycarbonate
<b>Centre distance:</b>	30mm	<b>Housing color:</b>	Black
<b>IP-value:</b>	IP67	<b>Lens color:</b>	Amber / Red / Transparent
<b>Side:</b>	Side / rear / front	<b>Light color:</b>	Amber / Red / white
<b>Dimensions:</b>	62 x 42 x 30mm	<b>Certificates:</b>	E, CE

Productcode	Amber (side)	Red (rear)	White (front)	Open wire end	0,75mm <sup>2</sup> connector	Mounting bracket rear	Mounting bracket side	Side marker side
MV-2700A	✓			✓				
MV-2710A	✓			✓		✓		
MV-2720A	✓				✓	✓		
MV-2700W	✓			✓				
MV-2710W			✓	✓		✓		
MV-2720W			✓		✓	✓		
MV-2740W			✓		✓		✓	
MV-2750W			✓	✓				✓
MV-2760W			✓		✓			✓
MV-2700R		✓		✓				
MV-2710R		✓		✓		✓		
MV-2720R		✓			✓	✓		



# Synchronised side marking

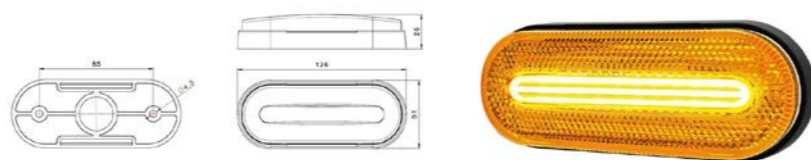
Are you looking for marker lights with additional features? Then the synchronised side marking from TRALERT® might be the perfect solution for you. These marker lights are equipped with a built-in Indicator function, allowing them to be linked with the Indicator of your rear lights.

This creates a synchronized lighting effect for your small trailer, which is visible when you turn or activate the hazard lights. Of course, the synchronised side marking from TRALERT® is fully certified and, if correctly wired, is completely legal for use on public roads.

## Art. M10ZK-100A

Features:

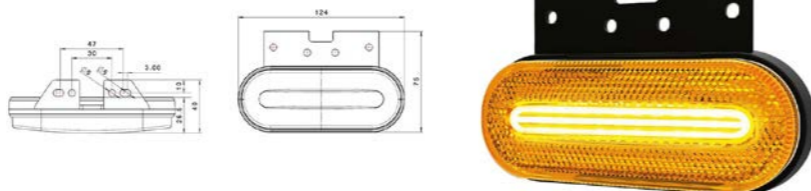
- MV-700 series marker light
- Synchronised side marking
- 12-24V
- 50cm cable with open wire end
- Dimensions: 126 x 51 x 26mm
- Centre distance: 85mm
- Light color amber
- Polycarbonate housing and lens
- 3-wire connection cable



## Art. M10ZK-150A

Features:

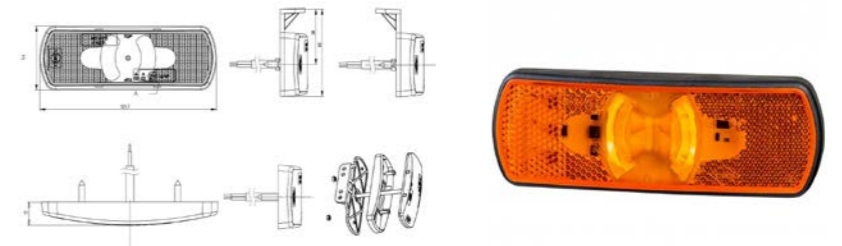
- MV-700 series marker light
- Synchronised side marking
- 12-24V
- 50cm cable with open wire end
- Dimensions: 124 x 75 x 40mm
- Centre distance: 47 / 30mm
- Light color amber
- Polycarbonate housing and lens
- 3-wire connection cable



## Art. M14ZK-300A

Features:

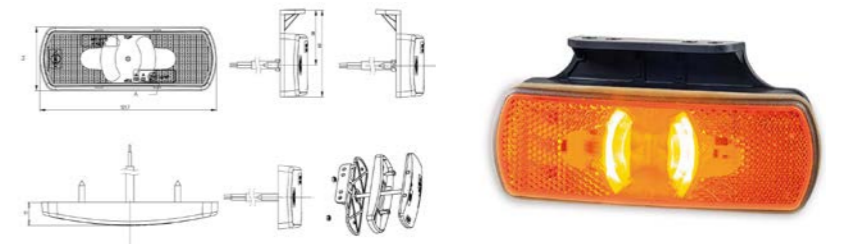
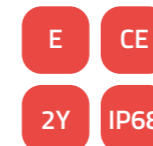
- MV-3300 series marker light
- Synchronised side marking
- 12-24V
- 50cm cable with open wire end
- Dimensions: 122 x 44 x 19mm
- Centre distance: 66mm
- Light color amber
- Polycarbonate housing and lens
- 3-wire connection cable



## Art. M14ZK-350A

Features:

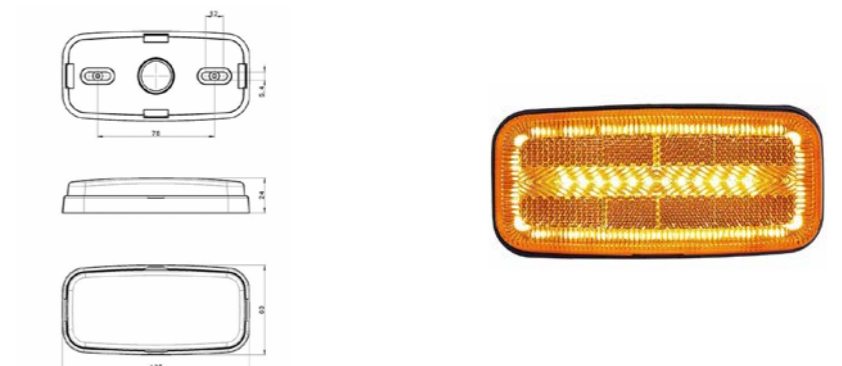
- MV-3300 series marker light
- Synchronised side marking
- 12-24V
- 50cm cable and open wire end
- Dimensions: 122 x 60,5 x 19mm
- Centre distance: 49 / 29,5mm
- Light color amber
- Polycarbonate housing and lens
- 3-wire connection cable



## Art. M10ZK-200A

Features:

- MV-1200 series marker light
- Synchronised side marking
- 12-24V
- 50cm cable with open wire end
- Dimensions: 125 x 60 x 24mm
- Centre distance: 78mm
- Light color amber
- Polycarbonate housing and lens
- 3-wire connection cable

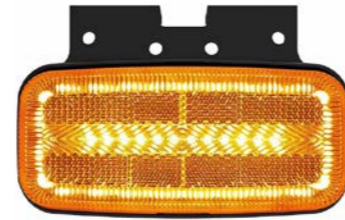
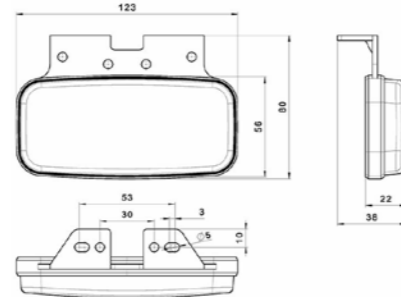




**Art. M10ZK-250A**

**Features:**

- MV-1200 series marker light
- Synchronised side marking
- 12-24V
- 50cm cable with open wire end
- Dimensions: 123 x 80 x 38mm
- Centre distance: 53 / 30mm
- Light color amber
- Polycarbonate housing and lens
- 3-wire connection cable



**Art. MZK-3200HA**

**Features:**

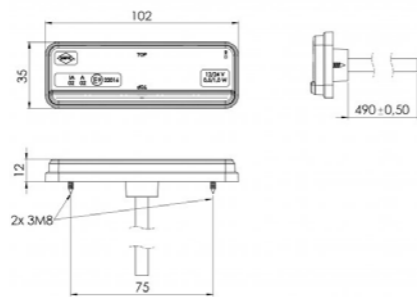
- MV-3200 series marker light
- Synchronised side marking
- 12-24V
- 50cm cable with open wire end
- Dimensions: 102 x 35 x 12mm
- Centre distance: 75mm
- Light color amber
- Polycarbonate housing and lens
- 3-wire connection cable



**Art. MZK-3200A**

**Features:**

- MV-3200 series marker light
- Synchronised side marking
- 12-24V
- 50cm cable with open wire end
- Dimensions: 113 x 44 x 13mm
- Centre distance: 75mm
- Light color amber
- Polycarbonate housing and lens
- 3-wire connection cable



**Art. MZK-3250HA**

**Features:**

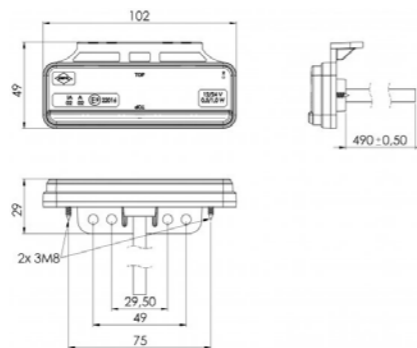
- MV-3200 series marker light
- Synchronised side marking
- 12-24V
- 50cm cable with open wire end
- Dimensions: 102 x 49 x 29mm
- Centre distance: 29,5 / 49mm
- Light color amber
- Polycarbonate housing and lens
- 3-wire connection cable



**Art. MZK-3250A**

**Features:**

- MV-3200 series marker light
- Synchronised side marking
- 12-24V
- 50cm cable with open wire end
- Dimensions: 113 x 61 x 34mm
- Centre distance: 29,5 / 49mm
- Light color amber
- Polycarbonate housing and lens
- 3-wire connection cable





DISCOVER THE RANGE

# LED WORK LIGHTS

Optimum lighting for your work area is achieved with TRALERT® LED work lights. Featuring sturdy housing, powerful LEDs, and excellent light distribution, the LED work lights from TRALERT® come in various shapes, ensuring there's always a work light that suits your small trailer. Discover on the following pages which LED work light best fits your small trailer!

## NEED A LONGER CABLE? Art. WAC-40DTC

Almost all LED work lights in this catalog are equipped with a handy Deutsch connector for easy installation. If the included cable isn't long enough for your application, TRALERT® offers a plug-and-play solution in the form of this female Deutsch connector with a 400cm extension cable and cover (item WAC-40DTC). This extension allows you to lengthen the connection of the work light by four meters. It is compatible with all TRALERT® work lights that use a Deutsch connector.

## EASILY CONNECT WITH A Y-CABLE?

Almost all LED work lights in this catalog are equipped with a convenient Deutsch connector for easy installation. If you want to connect two work lights quickly and easily while only having one available connection, TRALERT® offers a plug-and-play solution in the form of this Y-cable (art. WAC-30100Y). It has one 30cm cable on one side and two 100cm cables on the other. Compatible with all TRALERT® work lights with a Deutsch connector.



# Slimline LED work lights

Powerful and slimline LED work lights are ideal for installation in small spaces. With these work lights offering wide light distribution, you can create a perfectly illuminated work area. This selection features three unique models. These work lights are particularly suitable for mounting at the rear or as additional reverse lights on the side of your trailer.

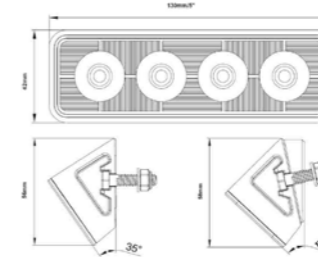
The strength of these work lights lies in their size and placement. Due to their extremely compact design, this series can be mounted in the tightest spaces. As a result, even in small areas, a powerful floodlight can be installed that evenly illuminates the entire rear view.

## TRALERT® Edge Series (Art. WR-2428.1)

Features:

- 2800 lumen
- Widebeam / R23 Reverse light
- 200cm cable + Deutsch-connector
- 9-36V multivoltage
- 4x 6W LEDs
- Dimensions: 130 x 42 x 56mm
- 1,60A at 12V / 0,80A at 24V
- 34 lux at 10m / 1 lux at 59m
- Beam angle 70°
- Two mounting angles available

- E
- CE
- R23
- CISPR25 Class 3
- 2Y
- IP69K

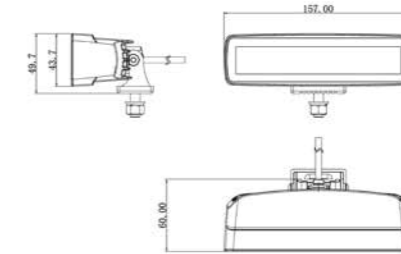


## TRALERT® Onix Series Art. WF-3027)

Features:

- 2880 lumen
- Widebeam
- 50cm cable + Deutsch connector
- 9-36V multivoltage
- 6x 3W LEDs
- Dimensions: 157 x 43,7 x 60mm
- 2,04A at 12V / 1,40A at 24V
- 64 lux at 10m / 1 lux at 73m

- E
- CE
- IP69K
- 2Y

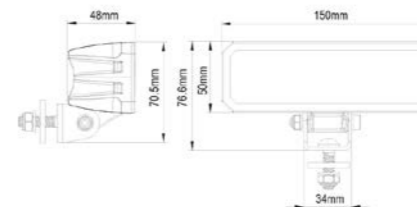


## TRALERT® Optimus Series (Art. WR-2426)

Features:

- 2600 lumen
- Widebeam / R23 Reverse light
- 30cm cable + Deutsch-connector
- 9-36V multivoltage
- 8x 3W LEDs
- Dimensions: 150 x 50 x 48mm
- 1,60A at 12V / 0,88A at 24V
- 16,0 lux at 10m / 1,0 lux at 39m
- Beam angle 140°

- E
- CE
- R23
- CISPR25 Class 3
- IP69K
- 2Y





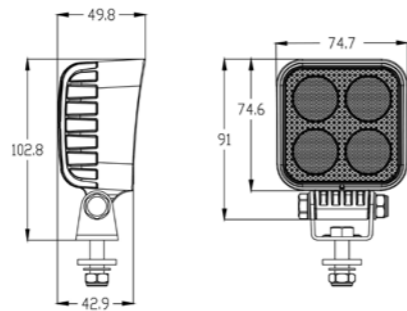
# Compact LED work lights

Versatile, compact, and powerful: within the TRALERT® LED work lights range, you will find several products that meet these requirements. These are the perfect specifications for applications in the small trailer world.

The selected LED work lights on these pages are each ideally suited for small trailers. With excellent light output, outstanding light distribution, and robust housing, these are durable options for your small trailer. Connecting is also quick and easy, thanks to the standard Deutsch connector provided.

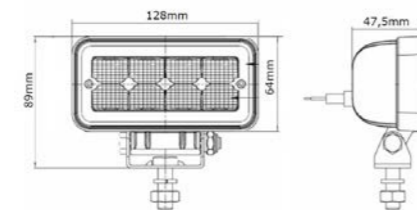
## Art. WF-2332 (50cm cable + Deutsch-connector) / WF-2332-4M (400cm cable)

- Features:
- 3180 lumen
  - Widebeam
  - 50cm cable / 400cm cable
  - Deutsch-connector / open wire end
  - 9-36V multivoltage
  - 4x 5,75W LEDs
  - Dimensions: 74,7 x 74,6 x 49,8mm
  - 1,90A at 12V / 0,96A at 24V
  - 10 lux at 14m / 1 lux at 47m



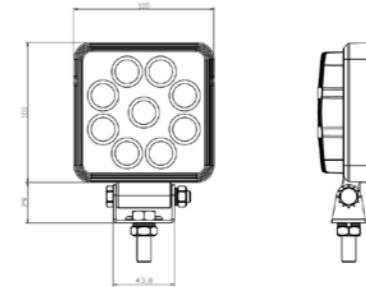
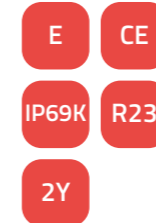
## TRALERT® Onix Series (Art. TRSW12274FB)

- Features:
- 1136 lumen
  - Widebeam
  - 40cm cable + Deutsch-connector
  - 9-36V multivoltage
  - 8x 1,5W LEDs
  - Dimensions: 128 x 64 x 47,5mm
  - 1,34A at 12V / 0,61A at 24V
  - 9 lux at 10m / 0,25 lux at 57m
  - Beam angle 50°



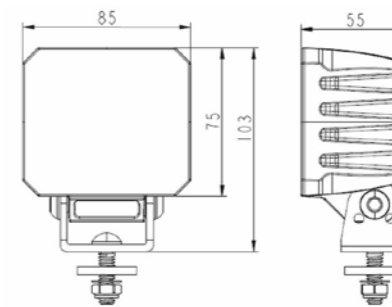
## Art. WR-1317

- Features:
- 1710 lumen
  - Widebeam / R23 Reverse light
  - 40cm cable + Deutsch-connector
  - 9-36V multivoltage
  - 9x 1,5W LEDs
  - Dimensions: 100 x 100 x 40mm
  - 1,44A at 12V / 0,71A at 24V
  - 10 lux at 10m / 0,25 lux at 55m
  - Beam angle 50°



## TRALERT® Edge Series (Art. WF-4038V)

- Features:
- 3800 lumen
  - Widebeam
  - Built-in Deutsch-connector
  - 9-36V multivoltage
  - 4x 10W LEDs
  - Dimensions: 85 x 75 x 55mm
  - 2,70A at 12V / 1,40A at 24V
  - 45 lux at 10m / 1 lux at 67m
  - Beam angle 60°

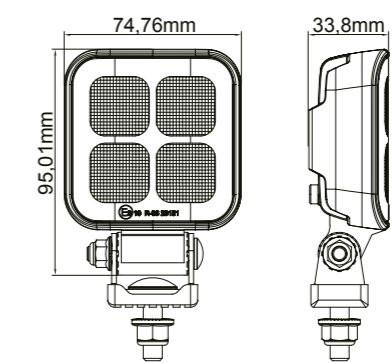


Built-in DT-conn.:



## TRALERT® Apex Series (Art. WR-1829V)

- Features:
- 2929 lumen
  - Widebeam
  - 50cm cable + Deutsch-connector
  - 9-30V multivoltage
  - 36V peak voltage resistant
  - 12 x 1,5W LEDs
  - Dimensions: 74,8 x 95,0 x 33,9mm
  - 1,70A at 12V / 0,84A at 24V
  - 22 lux at 10m / 1 lux at 47m





DISCOVER THE RANGE

# LED WARNING LIGHTS

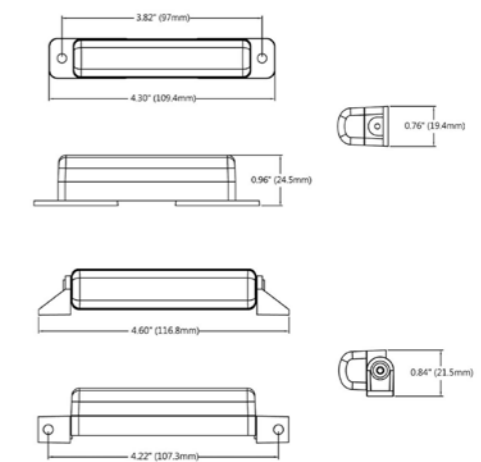
An essential part of signaling: LED warning lights. On the following pages, you will discover the TRALERT® LED warning lights selection. Slimline designs, durable housing, and many patterns to choose from. The LED warning lights from TRALERT® come in various shapes and sizes, ensuring that there is always a variant suitable for installation on or in your vehicle. Discover on the following pages which LED warning light is the best fit for your needs!



PERFECT FOR MOUNTING IN THE GRILLE

# SF-6000A

The SF-6000A warning light is perfect for mounting in the grille of your vehicle. Its compact size makes it easy to install, and it can be mounted in virtually any location thanks to the two handy mounting brackets that can rotate 360 degrees. The SF-6000A also comes with a 1-meter cable, making the connection much easier. Of course, the warning light is certified and features 14 warning patterns, including a DIM function.



The ideal LED warning light for mounting in the grille of your vehicle. Thanks to its compact size, this warning light is very easy to install. Additionally, two mounting sets are included, providing a solution for nearly any installation location. The side-mounted brackets can rotate 360°, allowing the warning light to be installed either standing or hanging. The brackets on the back can also be mounted in different ways.

Moreover, this warning light comes with a 1-meter cable, making the connection much easier. Finally, the warning light features 14 different flashing patterns, plus an option for constant illumination, and is equipped with a DIM function.

### Certificates & warranty:

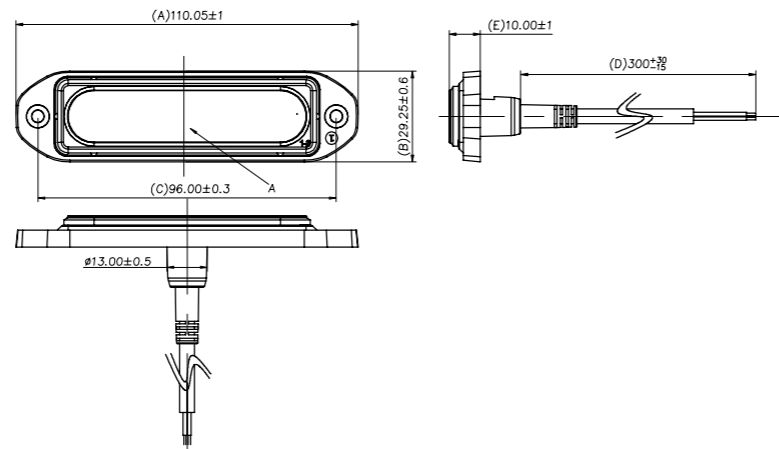


### SF-6000A product features:

Connection:	100cm cable
Light color:	Amber
Voltage:	12-24V
IP-value:	IP68
LEDs:	6 LEDs
Mounting:	Various possibilities
Amount of patterns:	14
Dimensions:	92 x 22 x 19mm
Housing color:	Black
Certificates:	ECE-R65 Class 2
Warranty:	3 years







This warning light is the perfect LED flasher to make your vehicle highly visible during work. With its compact dimensions and sleek slimline design, the SF-6500A is ideal for mounting on the vehicles you work with.

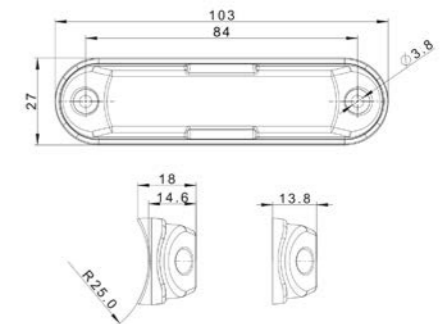
The SF-6500A from TRALERT® stands out due to its very compact size, 10 unique flashing patterns (including the option for alternating connection), ECE-R10 and R65 certifications, and a convenient 2-meter connection cable. Additionally, this LED warning light is 12-24V multivoltage compatible, making installation and mounting quick and easy on all your vehicles.

**Certificates & warranty:**



**SF-6500A product features:**

Connection:	200cm cable
Voltage:	12-24V
IP-value:	IP67
LEDs:	6 LEDs
Mounting:	Assembly
Amount of patterns:	10
Dimensions:	110 x 29 x 10mm
Housing color:	Black
Certificates:	ECE-R65
Warranty:	3 years



A warning light with versatile mounting options: that's the S10F6300(-ECO). This warning light comes standard with two different mounting brackets. One is a flat mounting bracket for flat surfaces, and the other is a round mounting bracket for curved surfaces, such as a roof or front bar.

This warning light is available with four flashing patterns (Art. S10F6300A) or a single flashing pattern (Art. S10F6300A-ECO). Additionally, this warning light is fully certified, including R10 and R65 certifications, has an IP68 waterproof rating, and comes with 15cm of connection cabling.

**Certificates & warranty:**



**S10F6300A(-ECO) product features:**

Connection:	Open wire end
Lichtbeeld:	R65 warning light
Voltage:	12-24V
flash patterns S10F6300A:	4
flash patterns S10F6300A-ECO:	1
LEDs warning light:	6 LEDs
IP-value:	IP68
Dimensions:	103 x 27 x 13,8mm
Cable length:	15cm
Housing color:	Black
Material lens:	Polycarbonate
Lens color:	Transparent
Light color:	Amber
Certificates:	ECE-R65
Warranty:	2 years



Two mounting rubber options available



Suitable for lamp bracket



VERY COMPACT AND VERSATILE

# SLIMLINE WARNING LIGHTS

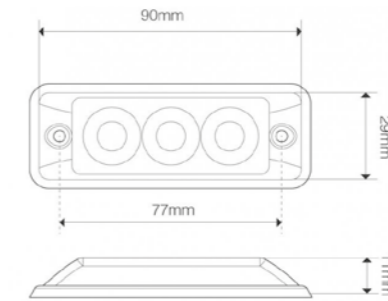
These are the amber slimline warning lights from TRALERT®. These warning lights are highly suitable for installation on the front, side, or rear of your small trailer. The lights are designed with multivoltage (12-24V) and feature 12 to 22 different flash patterns.



## TRALERT® Art. S11F3003

**Features:**

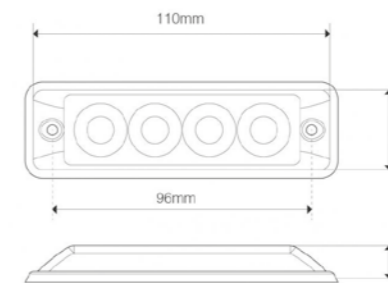
- Open wire end
- 12-24V multivoltage
- IP67 waterproof
- 3x 1 Watt LEDs
- Screw mounting
- Dimensions: 90 x 29 x 11mm
- 12 flash patterns
- 5 years warranty



## TRALERT® Art. S11F4002

**Features:**

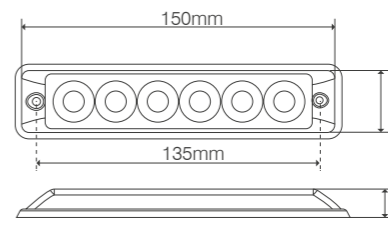
- Open wire end
- 12-24V multivoltage
- IP67 waterproof
- 4x 3 Watt LEDs
- Screw mounting
- Dimensions: 110 x 29 x 11mm
- 22 flash patterns
- R65 certified
- 5 years warranty



## TRALERT® Art. S11F6002

**Features:**

- Open wire end
- 12-24V multivoltage
- IP67 waterproof
- 6x 3 Watt LEDs
- Screw mounting
- Dimensions: 150 x 29 x 11mm
- 22 flash patterns
- R65 certified
- 5 years warranty

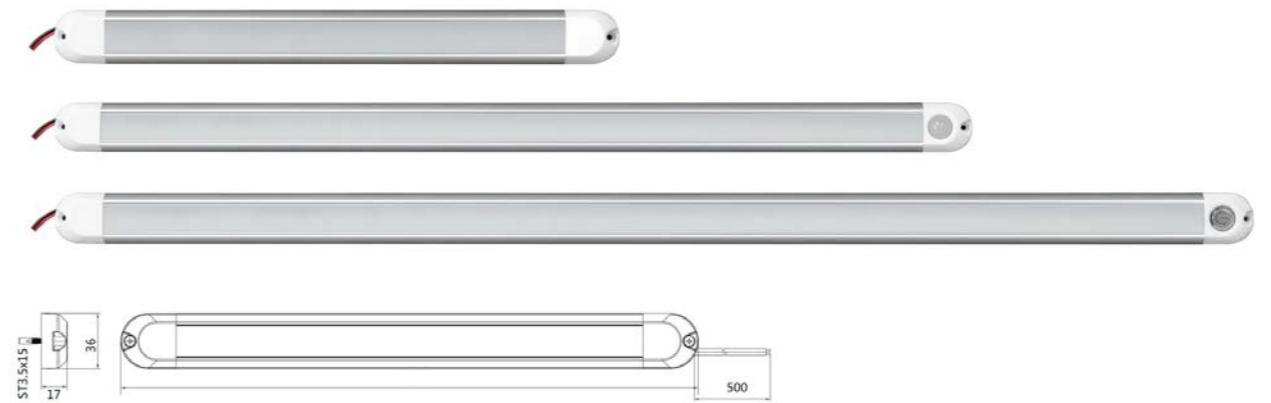




YOUR ENCLOSED TRAILER PERFECTLY LIT

# INTERIOR LIGHTING

Are you looking for lighting for the cargo space of your enclosed small trailer? Then take a look at TRALERT®'s LED interior lighting. Specially selected for this catalog are the B-2000 series and the BLS-series. The B-2000 series consists of nine LED strips, while the BLS-series features four flexible LED strips on a roll + parts. This ensures that you will always find a suitable option for your small trailer, regardless of the length of the area you need to light.



Introducing the B-2000 series LED interior lighting. This series of LED strips for your interior consists of nine products. You can choose from three different lengths and three types of switches: with a motion sensor, with a touch switch, or without a switch.

All products in this series feature the same slimline design with a thickness of just 17mm, making it easy to hide within your interior. This makes them particularly suitable for spaces such as the cargo areas of enclosed small trailers.

### Certificates & warranty:



### B-2000 series product features:

<b>Connection:</b>	50cm cable	<b>Mounting:</b>	Assembly
<b>Voltage:</b>	12-24V	<b>Dimensions:</b>	380 / 680 / 980 x 36 x 17mm
<b>Wattage:</b>	8W / 15W / 23W	<b>Housing color:</b>	Light grey
<b>Light color:</b>	6500K	<b>Certificates:</b>	E, CE
<b>Lumen:</b>	750 / 1500 / 2250 lumen	<b>Warranty:</b>	3 years
<b>IP-value:</b>	IP67		

Product overview	Without switch	Motion sensor	Touch switch	380mm (8W, 750 lumen)	680mm (15W, 1500 lumen)	980mm (23W, 2250 lumen)
BG-2038	√			√		
BS-2038		√		√		
BT-2038			√	√		
BG-2068	√				√	
BS-2068		√			√	
BT-2068			√		√	
BG-2098	√					√
BS-2098		√				√
BT-2098			√			√

 Visit [www.tralert.com](http://www.tralert.com) for our full range





The Click-&-Go LED Strip on a roll has a standard length of 5 meters, but the LED strip can be cut every 5 cm. This allows the strip to be precisely tailored to the interior of your vehicle. Markings for this are found on the print. If desired, the LED strip can also be ordered in rolls of 50 meters.

The LEDs are encapsulated in a silicone layer, making the strip IP68 waterproof. This interior lighting is available in 12V or 24V and in neutral white light (4000K) or cool white light (6000K). Also available are several click-connectors to connect sections together and aluminum profiles for easy mounting of the strips.

**Certificates & warranty:**



**Click-&-Go LED strip product features:**

<b>Connection:</b>	10cm cable	<b>Mounting:</b>	3M adhesive strip
<b>Voltage:</b>	12V of 24V	<b>Dimensions:</b>	5000 x 10 x 5mm
<b>Wattage:</b>	12W per meter	<b>Housing color:</b>	white/transparent
<b>Light color:</b>	4000K of 6000K	<b>Certificates:</b>	E, CE
<b>Lumen:</b>	1200 lumen per meter	<b>Warranty:</b>	3 years
<b>IP-value:</b>	IP68		

**Click-Connectors**

15cm cable single-sided (Art. BAC-1001)



15cm cable double-sided (Art. BAC-1002)



without cable double-sided (Art. BAC-1001)



**Aluminum profiles of 1 meter in length**

Aluminium frame set 1 (Art. BAC-ALU1-SET)

Dimensions: 100 x 16 x 16mm



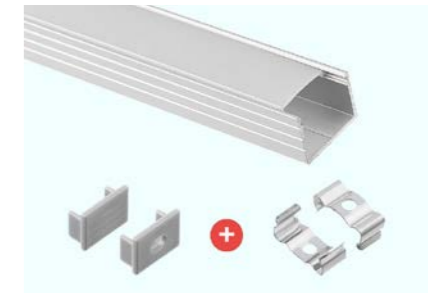
Aluminium frame set 2 (Art. BAC-ALU2-SET)

Dimensions: 100 x 18,1 x 18,1mm



Aluminium frame set 3 (Art. BAC-ALU3-SET)

Dimensions: 100 x 18 x 13mm



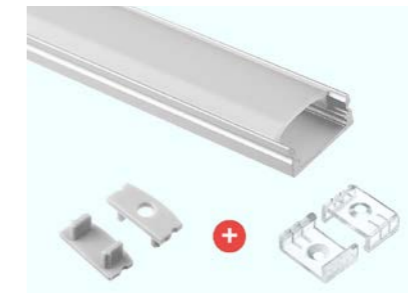
Aluminium frame set 4 (Art. BAC-ALU4-SET)

Dimensions: 100 x 19,5 x 20,2mm



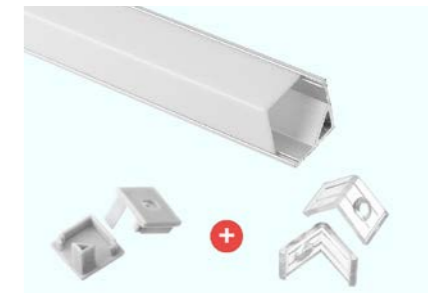
Aluminium frame set 5 (Art. BAC-ALU5-SET)

Dimensions: 100 x 17,3 x 7mm



Aluminium frame set 6 (Art. BAC-ALU6-SET)

Dimensions: 100 x 16 x 16mm



Product overview	12V	24V	4000K	6000K
BLS-5060W12V	√			√
BLS-5060W24V		√		√
BLS-5060NW12V	√		√	
BLS-5060NW24V		√	√	

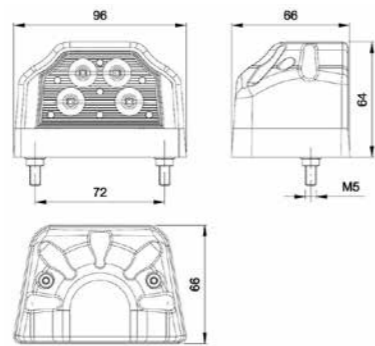


# Licence plate lighting

An essential component of the lighting solution since the license plate requirement was introduced: LED license plate lighting. The LED license plate lighting from TRALERT® complies with all the requirements for use on public roads. This ensures you avoid unnecessary fines and head out on the road with proper illumination for your small trailer.

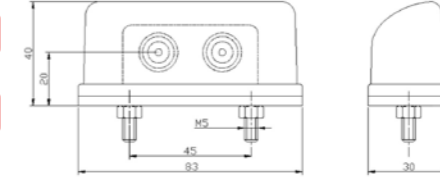
## TRALERT® Art. M10KV-100(R) / M10KV-110(R)

- Features:
- Licence plate lighting
  - 12-36V multivoltage
  - 96 x 66 x 64mm
  - Centre distance: 72mm
  - M10KV-100(R): 50cm cable
  - M10KV-110(R): 0,75mm<sup>2</sup> connector
  - M10KV-100/110: black housing
  - M10KV-100R/110R: red housing



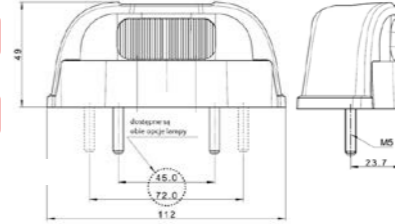
## TRALERT® Art. M10KV-300(H) / M10KV-310(H)

- Features:
- Licence plate lighting
  - 12-36V multivoltage
  - Dimensions laag: 83 x 40 x 30mm
  - Dimensions hoog: 83 x 50 x 30mm
  - Centre distance: 45mm
  - M10KV-300(H): 50cm cable
  - M10KV-310(H): 0,75mm<sup>2</sup> connector
  - M10KV-300/310: low profile
  - M10KV-300H/310H: high profile



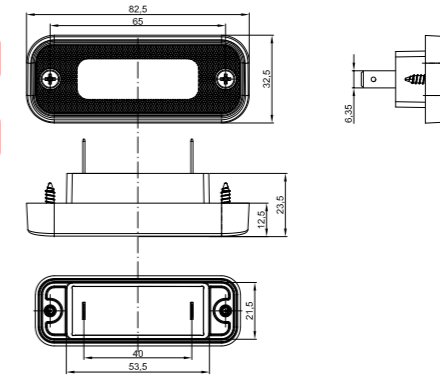
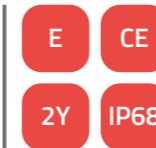
## TRALERT® Art. MK-1600 / MK-1600SS / MK-1610

- Features:
- Licence plate lighting
  - 12-36V multivoltage
  - 112 x 57 x 97mm
  - Centre distance: 45mm
  - MK-1600: 50cm cable
  - MK-1600SS: SuperSeal connector
  - MK-1610: 0,75mm<sup>2</sup> connector



## TRALERT® Art. MK-1700

- Features:
- Licence plate lighting
  - 12-24V multivoltage
  - 82,5 x 32,5 x 12,5mm
  - Centre distance: 65mm
  - Schuifconnectors
  - Black assembly housing





# Other lighting

In addition to the popular lighting categories previously mentioned, TRALERT® also offers various other standalone lighting solutions that are relevant for the small trailer world. For example, TRALERT® provides third brake lights. Although these are not always mandatory, they significantly improve the visibility and safety of your small trailer. There are also individual reverse lights available. Especially when your rear light doesn't have this feature, this is a great solution.

## TRALERT® Art. 235RHM12E

Features:

- Third brake light
- 12V
- Red lens
- White housing
- Polycarbonate lens and housing
- 237 x 25 x 16mm
- Centre distance 215,5mm
- 40cm cable
- Open wire end



Black assembly housing t.b.v. 235RHM12E (Art. 235B1B)



White assembly housing t.b.v. 235RHM12E (Art. 235W1B)



## TRALERT® Art. V3R-191(SS)

Features:

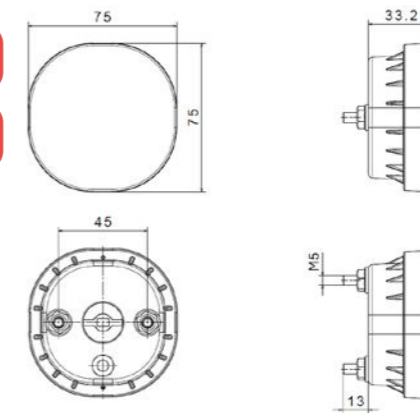
- Third brake light
- 12-24V multivoltage
- Red lens and housing
- Polycarbonate lens and housing
- 225 x 28 x 13mm
- Centre distance 200mm
- 380cm cable
- V3R-191: open wire end
- V3R-191SS: SuperSeal connector



## TRALERT® Art. VR-340(SS)

Features:

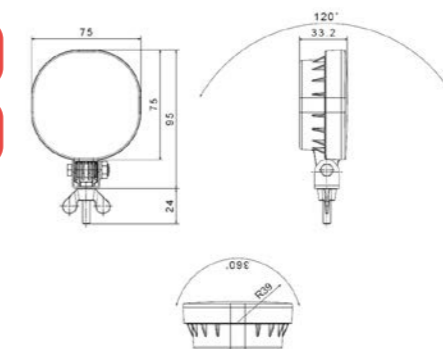
- LED Reverse light
- 12-24V multivoltage
- Rear mounting
- Centre distance: 45mm
- Dimensions: 75 x 75 x 33,2mm
- ABS housing
- 50cm cable
- VR-340: open wire end
- VR-340SS: SuperSeal connector



## TRALERT® Art. VR-341(SS)

Features:

- LED reverse light
- 12-24V multivoltage
- Standing mount
- Dimensions: 75 x 75 x 33,2mm
- Height incl. base: 95mm
- ABS housing
- 50cm cable
- VR-341: open wire end
- VR-341SS: SuperSeal connector

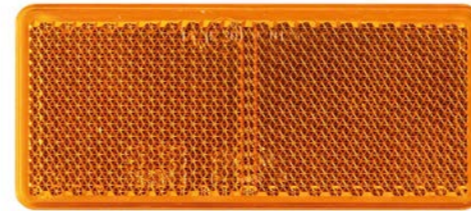




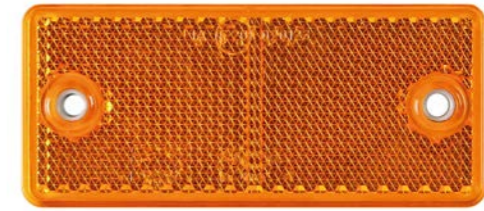
# Reflectors

In addition to the LED lighting itself, TRALERT® also provides reflectors that enhance the visibility of your vehicle. In some cases, an additional reflector is also required. For example, when a triangular reflector is not integrated into the rear light of your small trailer, it must be mounted separately. TRALERT® offers various models and shapes, all fully certified and approved for road use when correctly positioned.

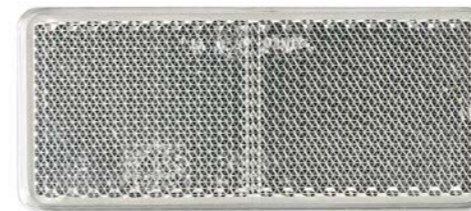
Rectangular amber reflector with 3M adhesive strip (Art. VRF-500A)



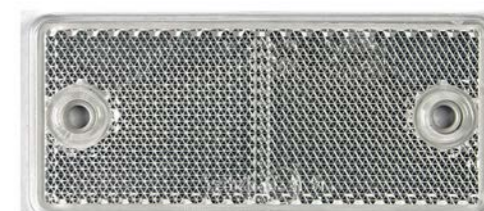
Rectangular amber reflector with screw holes (Art. VRF-501A)



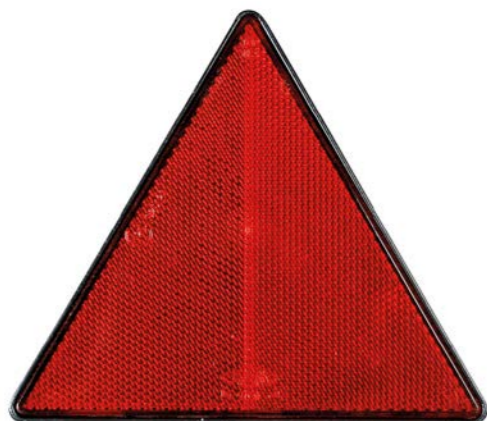
Rectangular white reflector with 3M adhesive strip (Art. VRF-500W)



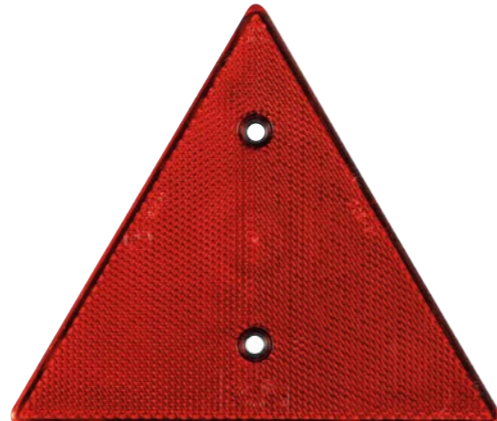
Rectangular white reflector with screw holes (Art. VRF-501W)



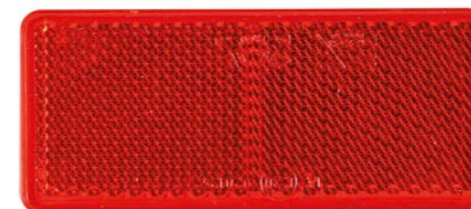
Triangular reflector red with threaded rods (Art. VRF-400R)



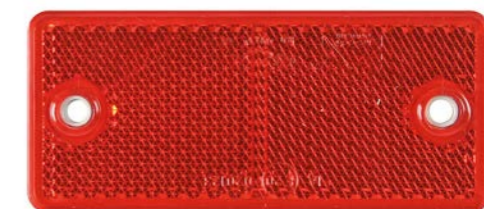
Triangular reflector red with screw holes (Art. VRF-410R)



Rectangular red reflector with 3M adhesive strip (Art. VRF-500R)



Rectangular red reflector with screw holes (Art. VRF-501R)





Very easy to connect lighting:

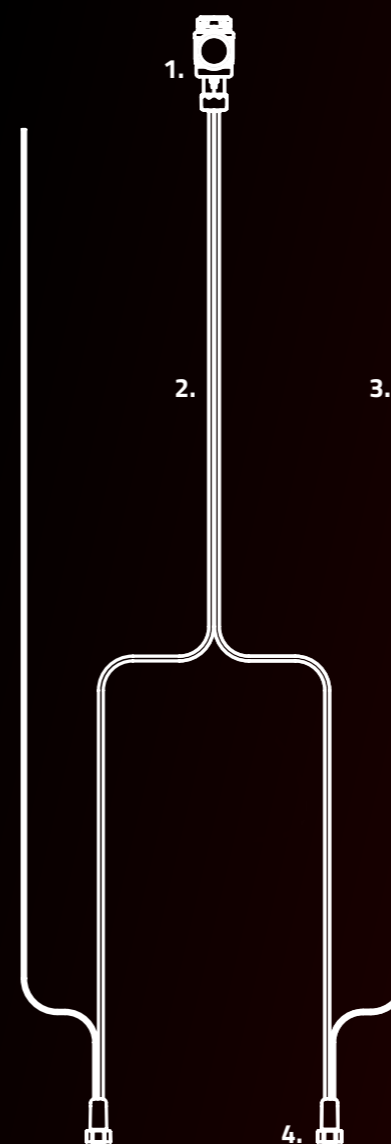
# WIRING LOOMSYSTEMS

To make the complete lighting solution for your small trailer as easy as possible to install, TRALERT® offers full wiring loom systems. These cable harnesses can be configured in multiple ways so that all the lighting from this catalog can be installed plug-and-play. The wiring looms from TRALERT® are divided based on four variables: the type of wiring loom, the length of the main cable, the length of any DC cables, and the choice of connectors. In the overview on the following page, you can find the assembly of the product number to help you find the exact wiring loom for your vehicle.

TRALERT® uses the following assembly:

# Art. **K10D-6046B7**

1. 2. 3. 4.



### 1. TYPE OF WIRING LOOM:

- K10A: 7-PINs connector, 2x 5-PINs bayonet without DC-connectors
- K10B: 7-PINs connector, 2x 5-PINs bayonet with DC-connectors
- K10C: 13-PINs connector, 2x 5-PINs bayonet without DC-connectors
- K10D: 13-PINs connector, 2x 5-PINs bayonet with DC-connectors

### 2. LENGTH MAIN CABLE:

- 30: 300cm
- 40: 400cm
- 50: 500cm
- 60: 600cm
- etc.

### 3. LENGTH DC-CABLE:

- 30: 300cm
- 40: 400cm
- 50: 500cm
- 60: 600cm
- etc.

### 4. CONNECTOR CHOICE:

- B5: 5-PINs bayonet connector CAT-B5
- B6: 6-PINs bayonet connector CAT-B6
- B7: 7-PINs AMP connector CAT-B7
- B8: 8-PINs bayonet connector CAT-B8



Adapter converter from 13- to 7-PINs (Art. KAC-13/7ADAPTER)



Adapter converter from 7- to 13-PINs (Art. KAC-7/13ADAPTER)



Power resistor 12V 50W (Art. LR12)



Power resistor 12V 25W (Art. VAC-LR12)



13-PINs connector (Art. KAC-13PConnector)



7-PINs connector (Art. KAC-7PConnector)



LED controlbox 13-PINs 12V (Art. V10AC-CTRL13)



Synchronised side marker control unit (Art. D14722)



Connectorbox 13-PINs (Art. KAC-13PConnectorDOOS)



Connectorbox 7-PINs (Art. KAC-7PConnectorDOOS)



Coiled cable 260cm, 2x 13-PINs 8-core (Art. KAC-400)



Coiled cable 260cm, 2x 13-PINs 13-core (Art. KAC-410)





Adapter cable left 6-PINs to 8-PINs (Art. KAC-6-8PINL)



Adapter cable right 6-PINs to 8-PINs (Art. KAC-6-8-PINR)



Y-cable SuperSeal 1x fem 50cm - 3x male 50cm (Art. KAC-600)



Y-cable SuperSeal 1x fem 600cm - 3x male 50cm (Art. KAC-610)



Adapter cable 5-PINs from 2 to 1 connector (Art. V10AC-301)



Adapter cable 5-PINs from 3 to 1 connector (Art. V10AC-302)



Y-cable SuperSeal 1x fem 900cm - 2x male 50cm (Art. KAC-620)



Extension cable 200cm SuperSeal 1x fem - 1x male (Art. KAC-720)



Adapter cable 5-PINs from 4 to 1 connector (Art. V10AC-303)



Adapter cable 200cm 1x Deutsch-fem - 1x Superseal fem (Art. KAC-800)



Extension cable 600cm SuperSeal 1x fem - 1x male (Art. KAC-760)



Extension cable 800cm 1x 0,75mm<sup>2</sup> - 1x 2-PINs SuperSeal (Art. KAC-80005S)





400cm extension cable with cover for Deutsch-connector (Art. WAC-40DTC)

1500cm extension cable with cover for Deutsch-connector (Art. WAC-150DTC)



5-PINs bayonet connection 10m cable left (Art. V10AC-10MB5L)

5-PINs bayonet connection 10m cable right (Art. V10AC-10MB5R)



Y-cable 1x30cm male & 2x100cm female (Art. WAC-30100Y)

7-PINs bayonet connection 250cm cable (Art. V10AC-250B7)

5-PINs bayonet connection 18m cable left (Art. V10AC-18MB5L)

5-PINs bayonet connection 18m cable right (Art. V10AC-18MB5R)



5-PINs bayonet connection left 50cm cable (Art. V10AC-051B5)

5-PINs bayonet connection right 50cm cable (Art. V10AC-052B5)

5-PINs bayonet connection left without cable (Art. V10AC-101B5)

5-PINs bayonet connection right without cable (Art. V10AC-102B5)





6-PINs bayonet connection left without cable (Art. V10AC-101B6)



6-PINs bayonet connection right without cable (Art. V10AC-102B6)



4-PINs Deutsch-connector male set (Art. DT-04SET)



6-PINs Deutsch connector male set (Art. DT-06SET)



7-PINs AMP connector without cable (Art. V10AC-101B7)



8-PINs bayonet connection left without cable (Art. V10AC-101B8)



SuperSeal female set 2-PINs with thule (Art. SSC-F-SET)



SuperSeal male set 2-PIN with thule (Art. SSC-M-SET)



8-PIN bayonet connection right without cable (Art. V10AC-102B8)



DC clickconnector 0,75mm<sup>2</sup> (Art. QS075)



Cover ft. VC-7000, VC-3000, VC-3100 & VC-1000 (Art. VAC-COVER1)



Cover ft. VC-3300, VC-2300, VC-2700, 500- & 600-series (Art. VAC-COVER2)





# Explanation Cables & Connectors

## 7-PINS CONNECTOR

The 7-PINs connector is connected according to the ISO 1724 standard. This connector principle is commonly used on smaller small trailers, as it doesn't have enough PINs to support all functions. The connector box is always found on the towing vehicle, while the connector is located on the towed vehicle.

## 13-PINS CONNECTOR

The 13-PINs connector is connected according to the ISO 11446 standard. Unlike the 7-PINs connector, this principle is capable of distributing all functions to the towed equipment. In addition to all lighting functions, this connector also has the ability to pass a switched and constant positive, including extra ground connections. The 13-PINs connector is typically used on both small and larger small trailers where all lighting functions are required or desired.

## 5-PINS BAYONET (B5)

The 5-PINs bayonet connector is used to create a quick and reliable connection between the wiring loom and the lamp. This connector comes in a left (yellow) and right (green) version. The connector has a fixed PIN configuration to ensure that the lamps always function properly. In addition to the functions for rear, brake, indicator, and ground, there is always 1 pin left unused, which is typically used for the fog light (left) and reverse light (right). The connectors are waterproof and IP67 certified.

## 6-PINS BAYONET (B6)

The 6-PINs bayonet connector is similar to the 5-PINs connector, but with one additional PIN. This allows for controlling all functions in the rear light. Both the fog light and reverse light can be controlled with this 6-PINs bayonet connector. Like the 5-PINs version, this connector is waterproof and IP67 certified.

## 7-PINS AMP CONNECTOR (B7)

The 7-PINs AMP is a universal connector commonly used in various industries. The 7-PINs connector can have different pin configurations, but at TRALERT®, the most common pin configuration is used. This connector features 7 PIN options, of which typically six are used. The seventh PIN is optional. The left and right pin configurations are identical.

## 8-PINS BAYONET (B8)

The 8-PINs bayonet connector is the most commonly used connector in the small trailer industry. This connector is also available in a left (yellow) and right (green) version. In addition to the color difference, there is also a change in the pin configuration, with the pin layout being different when comparing the left and right versions. This connector typically has 6 visible pins. The 8-PINs bayonet connector has a fixed pin configuration.

## 0,75MM<sup>2</sup> CONNECTOR

This connector is referred to as a 0.75mm<sup>2</sup> connector at TRALERT®. In addition to this name, it is also commonly known as a DC connector, piercing connector, or click connector. Regardless of the name, the principle remains the same. This connector is placed over a 0.75mm<sup>2</sup> 2-core Slimline cable and then closed with a cover cap. At this point, the two pins pierce through the Slimline cable, completing the connection. The 0.75mm<sup>2</sup> connector is particularly known for its quick installation. However, replacement of this connector is generally slower.

## 1,50MM<sup>2</sup> CONNECTOR

The principle of the 1.5mm<sup>2</sup> connector is the same as that of the 0.75mm<sup>2</sup> connector. The difference lies in the thickness of the cable; this connector must be clicked onto a 1.5mm<sup>2</sup> Slimline cable. All the advantages and disadvantages are also the same as those of the 0.75mm<sup>2</sup> variant.

## DEUTSCH-CONNECTOR (DT)

The Deutsch connector is a widely used connector, especially for connecting work lights. It is a very reliable and waterproof connector. In most cases, a 2-PINs variant is used, but multiple pins are also available. At TRALERT®, we almost always use the so-called sealed version. This additional seal provides extra protection for the cable at the entry point of the connector, making this already excellent connector even better.

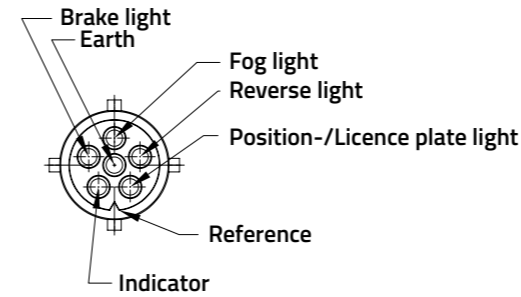
## SUPERSEAL CONNECTOR (SS)

The SuperSeal AMP connector is a versatile connector commonly used for marker lights, side marker lights, and license plate lights. This connector offers many advantages due to its high quality and reliability. It is fully waterproof and resistant to harsh environmental conditions such as ozone, salt, gasoline, diesel, brake fluid, and motor oil. Additionally, the connector can withstand temperatures ranging from -40°C to +125°C, ensuring that the lighting will continue to function under any circumstances.

# Connectors

In this catalog, you will find various connectors for rear lights that are compatible with different types of wiring looms. On this page, you will find an overview of four connectors available within the TRALERT<sup>®</sup> rear light range. The available connectors include a 5-PINs bayonet, a 6-PINs bayonet, a 7-PINs AMP, and an 8-PINs bayonet. By considering these connectors, you can ensure a correct connection between the wiring loom and rear light.

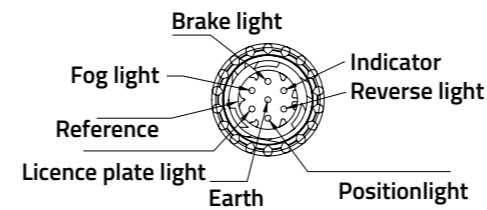
6-PINs bayonet connection schematic



6-PINs bayonet on a rear light



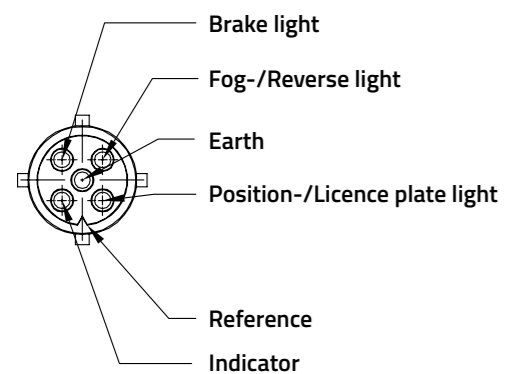
7-PINs AMP aansluiting schematic



7-PINs AMP on a rear light



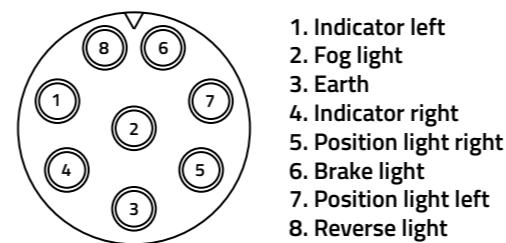
5-PINs bayonet connection Schematic



5-PINs bayonet on a rear light



8-PINs bayonet connection schematic



8-PINs bayonet on a rear light





A COMPLETE SOLUTION FOR YOUR VEHICLE

# PLUG-&-PLAY LED KIT

At TRALERT®, you are not only in the right place for individual LED lighting. As a partner in LED vehicle lighting, we also offer plug-and-play LED kits. These complete LED kits include, among other things, LED lighting, wiring looms, and all the necessary components for easy installation on your small trailer. Examples of these can be found at the beginning of this catalog. Since every lighting issue requires a different solution, we offer three options:

# 1

## The regular range

This LED kit is carefully assembled from products available in our extensive Regular range. This package includes, among other things, lighting, wiring looms, and other necessary components that are available for immediate delivery from stock.

# 2

## Custom solutions

If a solution for your lighting issue is not directly possible with products from our regular range, TRALERT® offers the option for custom solutions to provide an appropriate fit.

# 3

## LED Kit In your corporate identity

Would you like to offer the complete lighting solution personalized for your customers? TRALERT® offers the possibility to design and package the LED kit in your recognizable brand style.





## CONTENT OF THE TRALERT® LED KIT

The TRALERT® LED kit consists of LED lighting, wiring looms, and other parts. The wiring looms and parts are equipped with the correct connectors that are directly compatible with the LED lighting from this small trailer range. This way, you can easily and quickly assemble a complete LED kit that is plug-and-play for installation.

### THE REGULAR WIRING LOOM ASSORTMENT

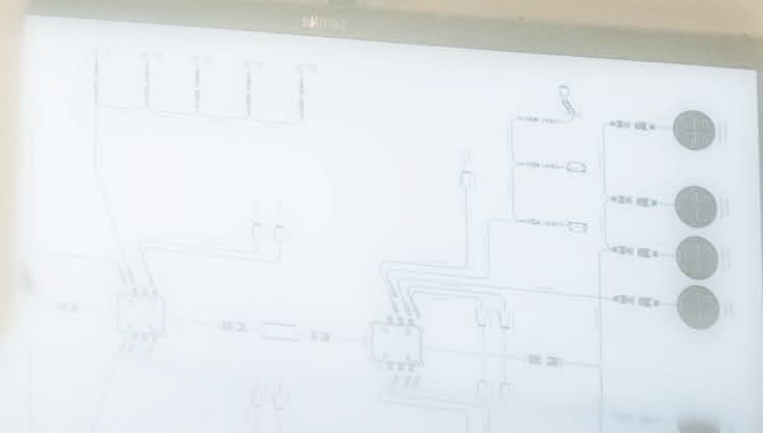
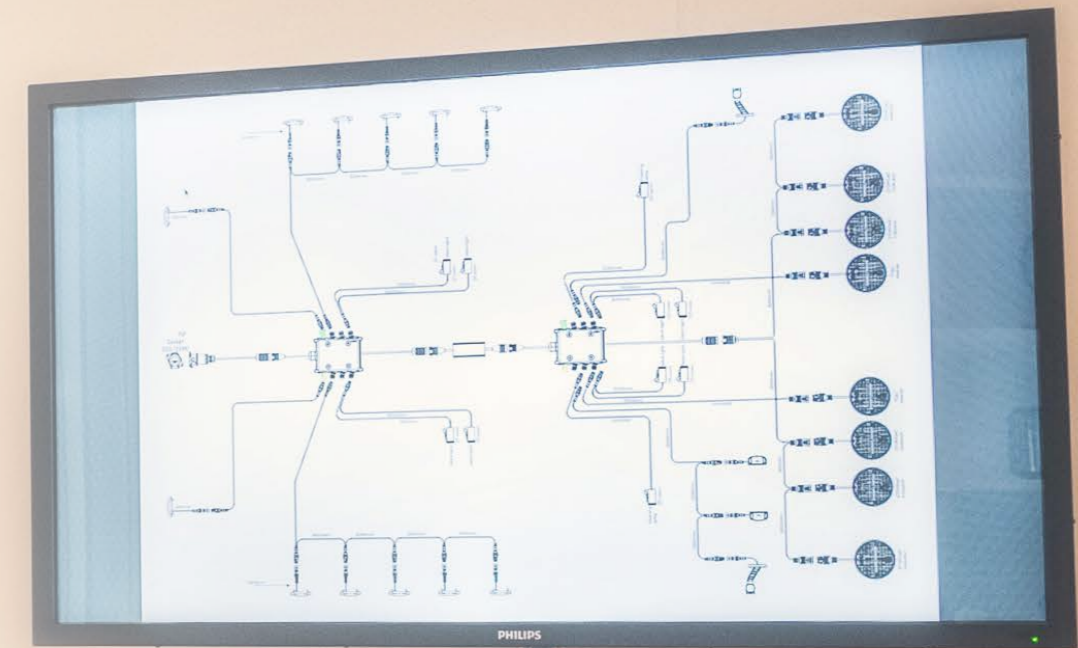
The regular range consists of several wiring loom systems, including a 7-PINs AMP system and a 5-PINs bayonet system. TRALERT® offers lighting with various wiring loom systems commonly used in the small trailer industry. These wiring loom systems are available with 7- and 13-PINs connectors and various wiring loom lengths ranging from 4 to 14 meters. Each wiring loom solution allows for the connection of two rear lights with multiple functions per side.

Would you like to also connect marker lights, side marker lights, and license plate lighting? The wiring loom system can be equipped with DC connectors. The lighting with blue 0.75mm<sup>2</sup> connectors from this catalog is particularly suitable for this. It can be connected in a plug-and-play manner to this system.

In addition, TRALERT® offers a wide range of adapter cables, adapters from 7- to 13-PINs and vice versa, resistors, and other parts to complete your lighting solution. With the extensive Regular range from TRALERT®, you can typically create a suitable cabling and lighting solution.

### CUSTOM CABLING

If the Regular range of lighting, wiring loom systems, and parts doesn't fully meet your lighting needs, TRALERT® offers custom solutions. We can assemble the entire lighting package according to your specifications. This includes creating exact lengths that match your vehicle, creating connections for multiple rear lights, and/or customizing connectors. Together, we can develop the complete lighting solution for your small trailer.





## RECOGNIZABLE LED KIT IN YOUR CORPORATE IDENTITY

Are you looking for a complete plug-and-play lighting solution where the entire package is neatly packaged and beautifully designed in your corporate identity? Then TRALERT® offers a custom lighting set in the form of the LED upgrade package.

### THE BENEFITS OF A CUSTOM PACKAGE

The LED upgrade package is a custom-assembled kit from TRALERT® that includes LED lighting, cabling, necessary accessories, and a manual for easy installation. This package is conveniently packaged and designed in a single box, enabling efficient delivery to our partners. This means you won't need to order separate lighting and cable looms; instead, you can quickly and easily order all the lighting your vehicle needs for assembly.

If your company works with a dealership network where, for example, multiple excavators are fitted with LED lighting each year, a personalized LED kit might be a great solution.

The composition of the package is tailored to the client's goals and requirements, including any relevant regulations for vehicles like excavators or agricultural machines that drive on public roads. Our aim is to ease the process for our partners, as great customer service is a core value that sets TRALERT® apart.

Normally, the LED kit is delivered in a TRALERT® box, but if preferred, we can create a customized box. In this case, you'll receive the kit in a beautifully designed box, branded with your company's identity.

### SUPPORTING MARKETING ASSISTANCE

If you choose a recognizable LED kit in your own corporate identity and wish to market it to your customers, TRALERT® can take care of the entire process for you. With our in-house TRALERT® marketing team, we are perfectly equipped to support you in areas such as custom brochures, full shop-in-shop support, and providing tailored social media content. This way, you can effortlessly promote your own LED kit to your target audience with minimal effort.





# LEGEND ICONS

E

E-mark is a certification that indicates that your vehicle or product complies with EU regulations. The EU regulations refer to the legislation of the European Union.

CE

The CE mark is a Europe-wide agreement concerning the safety of products within the EU, with many regulations in place. For LED vehicle lighting, a CE mark is mandatory.

IP56

IP stands for 'International Protection Rating' and indicates whether a product is dustproof and waterproof. IP56 means dust-protected and water-resistant when sprayed with water (100 liters per minute).

IP67

IP stands for 'International Protection Rating' and indicates whether a product is dustproof and waterproof. IP67 means completely dust-tight and waterproof when submerged up to a depth of 1 meter for up to 30 minutes.

IP68

IP stands for 'International Protection Rating' and indicates whether a product is dustproof and waterproof. IP68 means completely dust-tight and waterproof beyond 1 meter depth and for longer than 30 minutes.

IP69K

IP stands for 'International Protection Rating' and indicates whether a product is dustproof and waterproof. IP69K means fully dustproof, waterproof, moisture-resistant, and resistant to high-pressure spraying.

2Y

2Y stands for a two-year warranty on internal components. In case of a technical defect in the lamp within the warranty period, you will receive a working new unit.

3Y

3Y stands for a three-year warranty on internal components. In case of a technical defect in the lamp within the warranty period, you will receive a working new unit.

5Y

5Y stands for a five-year warranty on internal components. In case of a technical defect in the lamp within the warranty period, you will receive a working new unit.

∞

∞ stands for unlimited warranty on internal components. In case of a technical defect in the lamp, you will receive a working new unit.

CISPR  
Class 3

CISPR 25 Class 3 is a classification for components designed to have the lowest level of electromagnetic emissions, ensuring that systems function properly without interference.

CISPR  
Class 5

CISPR 25 Class 5 is a classification for components designed to emit the lowest levels of electromagnetic interference, ensuring that systems can function optimally without causing or being affected by disturbances.

R10

ECE-R10 is a certification for electrical systems on vehicles, ensuring that the lighting does not cause interference with other electronic equipment.

R23

ECE-R23 is a regulation for reverse lights. ECE-R23 certified work lights may be officially used as reverse lights when correctly mounted and connected.

R65

ECE-R65 is a regulation for signaling. ECE-R65 certified lighting may be officially used as signaling, such as a beacon light, when correctly mounted and connected.

R65  
Class 2

ECE-R65 Class 2 is a regulation for beacon lights. ECE-R65 Class 2 certified lighting may be officially used as a beacon light when correctly mounted and connected.



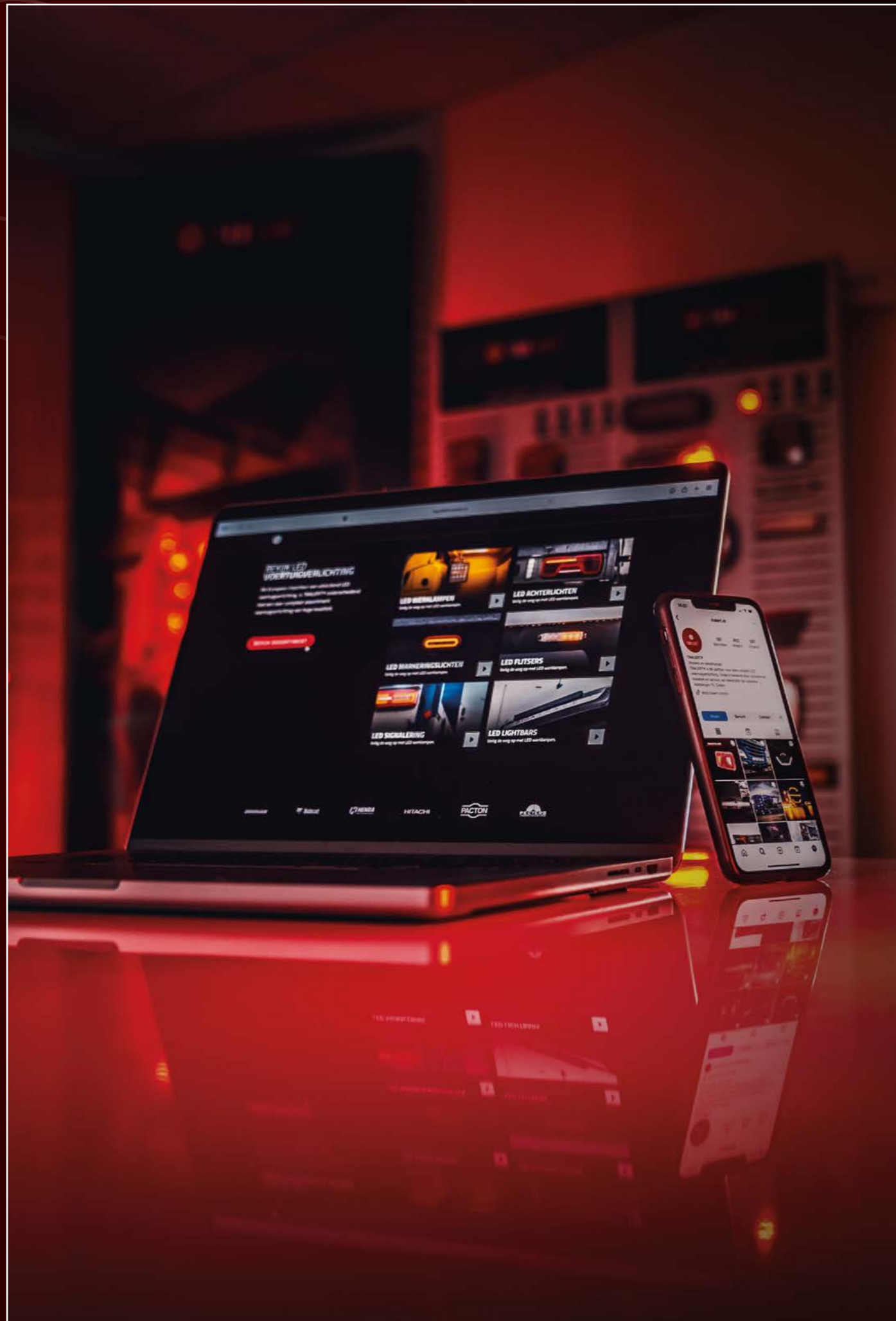


## DISCOVER TRALERT® ALSO ONLINE

Would you like more information about the lighting in this catalog or are you curious about more from TRALERT®? Visit the full range on the TRALERT® website. Here, you can find all LED vehicle lighting in one place and order directly online. Find the latest prices, discover useful combinations, or compare lighting for your vehicle.

"Order today = install tomorrow."

[WWW.TRALERT.COM](http://WWW.TRALERT.COM)



## DISCOVER TRALERT® ONLINE



Connect with TRALERT® on LinkedIn and stay informed about news and market developments.



Like TRALERT® on Facebook to stay up to date with the latest news and the coolest content.



Follow @tralert.nl on Instagram and discover the coolest applications of LED vehicle lighting.



Want to know more? Visit the TRALERT® website. Scan the QR code or go to [www.tralert.com](http://www.tralert.com).



---

**SMALL TRAILER LIGHTING**

